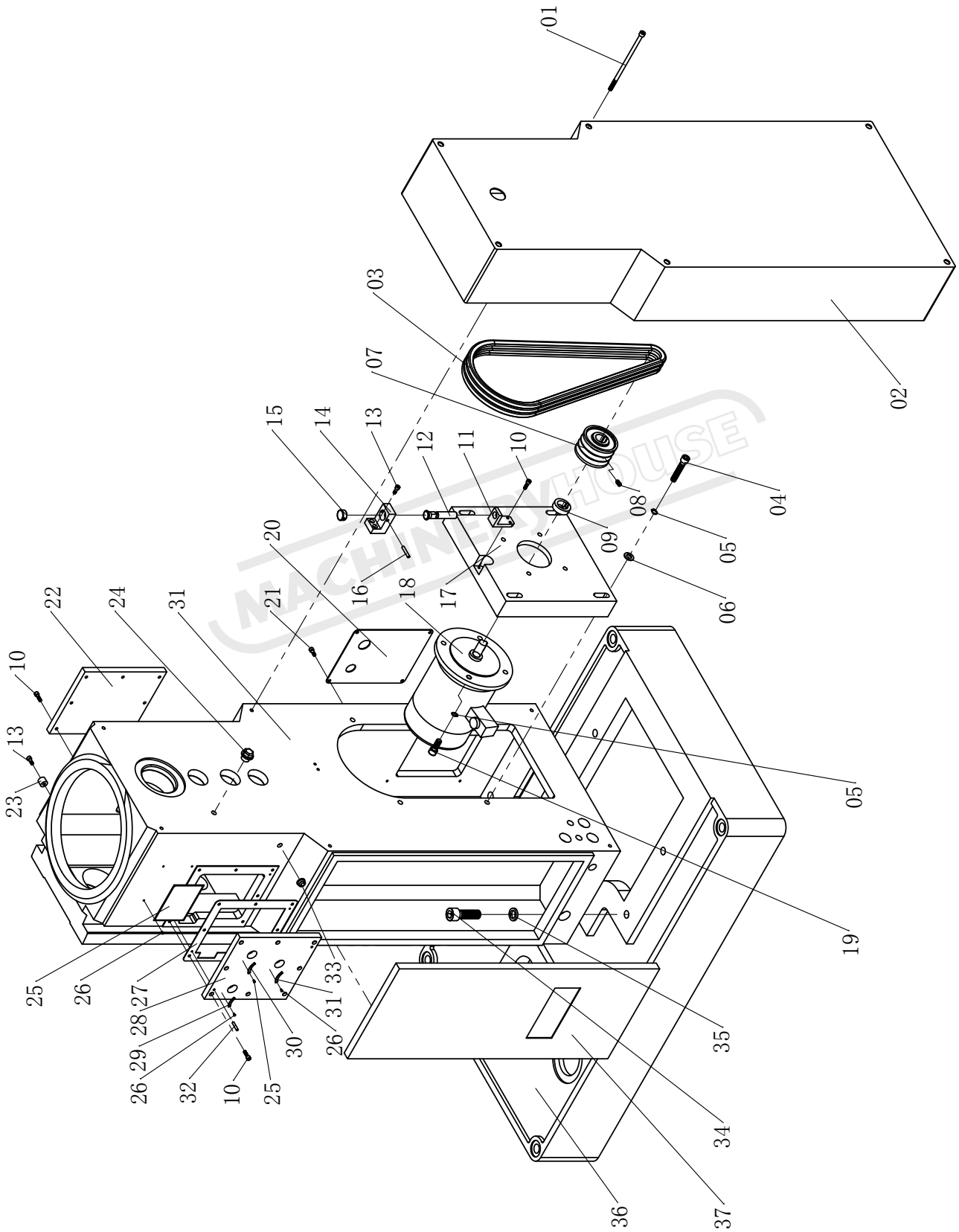
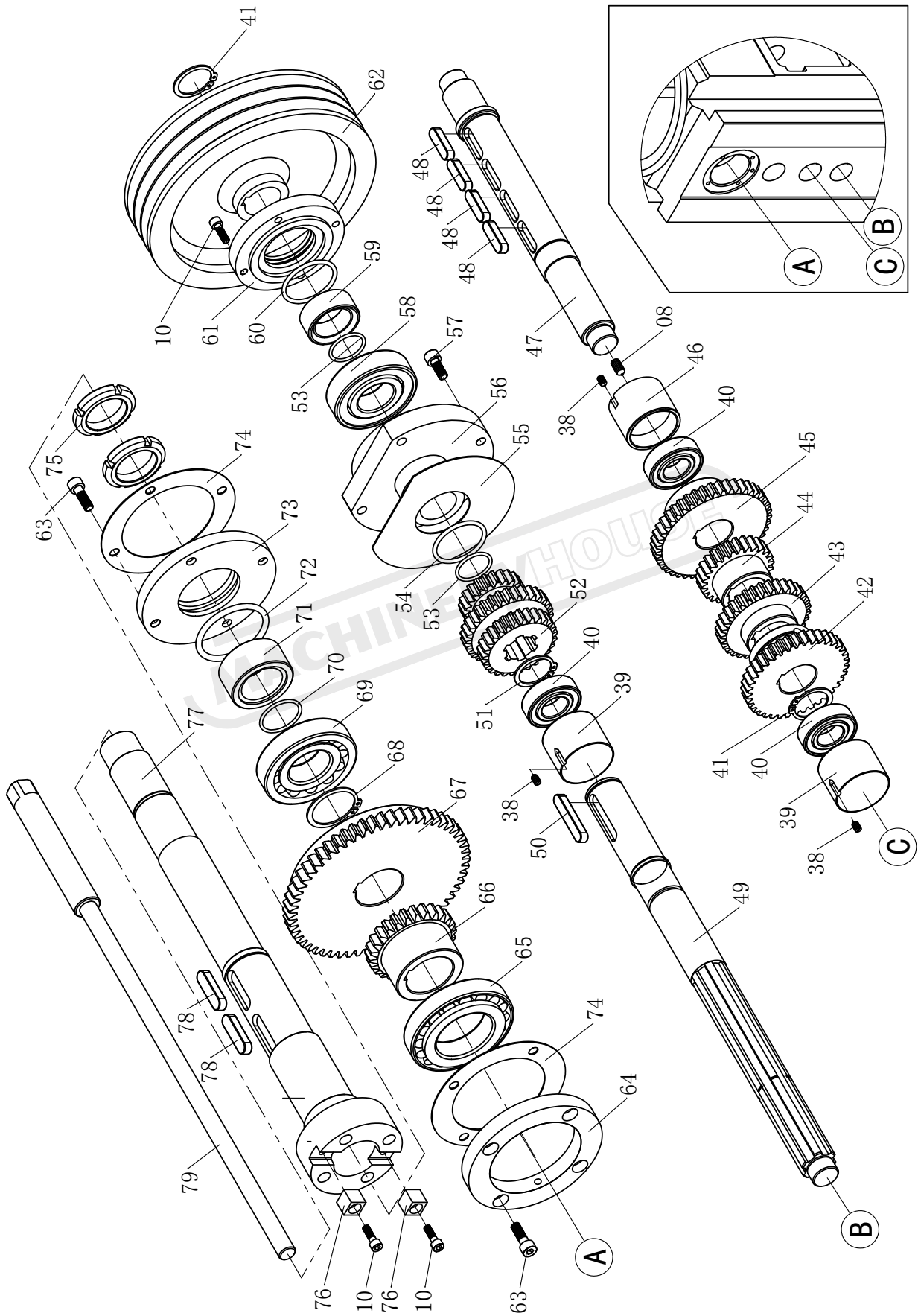


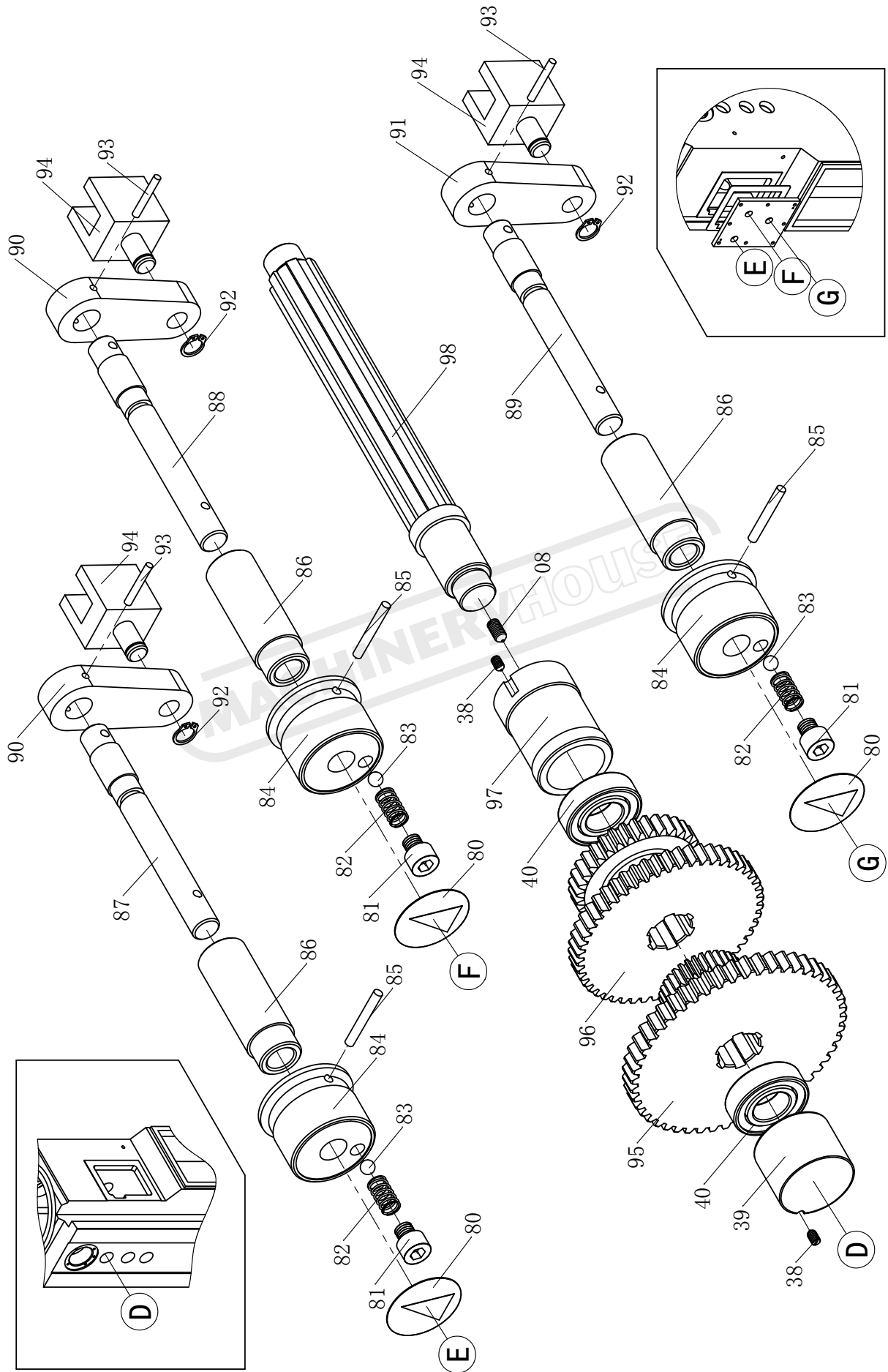
# 01 Column & base part



# 01 Column & base part



# 01 Column & base part



## 01 Column & base parts

No.	Name of item	Qty
01001	Bolt	6
01002	Rear cover	1
01003	Belt	3
01004	M12×65 Hexagon socket head cap screw	4
01005	12 Spring washer	8
01006	12 Plain washer	4
01007	Belt wheel	1
01008	M8×16 Set screw	3
01009	Sleeve	1
01010	M6×20 Hexagon socket head cap screw	24
01011	Stop	1
01012	Adjusting screw	1
01013	M6×16 Hexagon socket head cap screw	3
01014	Stop	1
01015	Plug	1
01016	6×35 Taper bolt	1
01017	Motor base plate	1
01018	2.2kW motor	1
01019	M12×30 Hexagon socket head cap screw	4
01020	Cover	1
01021	M6×16 Cross recessed pan head screw	4
01022	Cover board	1
01023	Stop	1
01024	Oil plug	1
01025	Rotating speed sign	1
01026	2.5×5 Rivet	10
01027	Oil proof rubber pad	1
01028	Cover board	1
01029	Indicator drop	1

## 01 Column & base parts

No.	Name of item	Qty
01030	Indicator drop	1
01031	Indicator drop	1
01032	Taper bolt	2
01033	Oil gage	1
01034	M20×65 Hexagon socket head cap screw	5
01035	20 Spring washer	5
01036	Base	1
01037	Door	1
01038	M6×10 set screw	5
01039	Plug	3
01040	25×52×15 Bearing	5
01041	35 retaining ring	2
04042	Gear	1
01043	Gear	1
01044	Gear	1
01045	Gear	1
01046	Plug	1
01047	Shaft	1
01048	10×8×36 key	4
01049	Splined shaft	1
01050	10×8×55 key	1
01051	34 retaining ring	1
01052	Gear	1
01053	30×2.62 sealing ring	2
01054	45×3.55 sealing ring	1
01055	Oil proof rubber pad	1
01056	Flange	1
01057	M8×20 hexagon socket head cap screw	4
01058	35×80×21 bearing	1

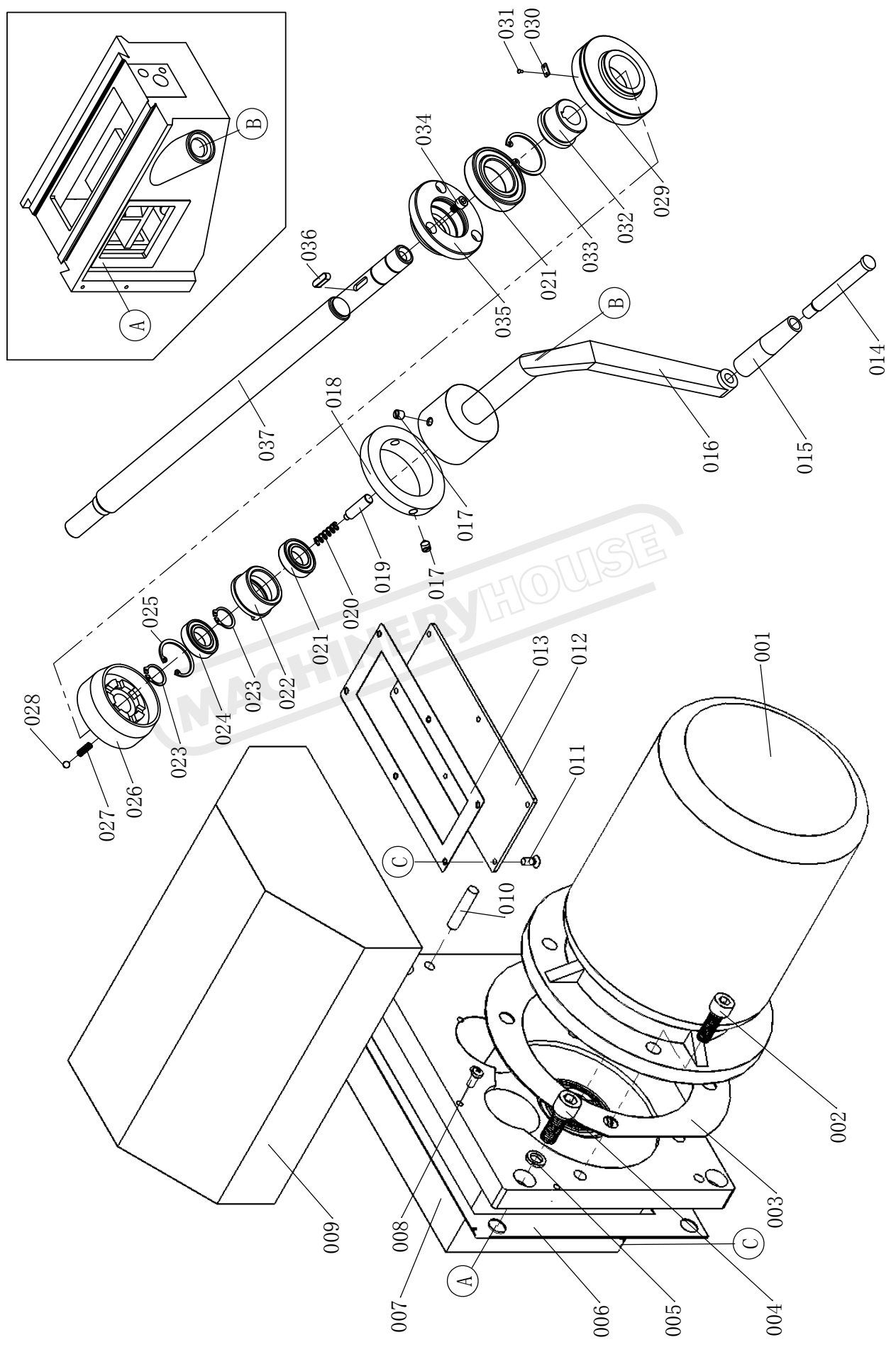
## 01 Column & base parts

No.	Name of item	Qty
01059	Bush	1
01060	46.2×3.55 Sealing ring	1
01061	Blanking cover	1
01062	Belt pulley	1
01063	M8×25 Hexagon socket head cap screw	8
01064	End cover	1
01065	50×90×23 Bearing	1
01066	Gear	1
01067	Gear	1
01068	45 Retaining ring	1
01069	40×90×25.25 Bearing	1
01070	35.5×2.65 Sealing ring	1
01071	Bush	1
01072	60×5.3 Sealing ring	1
01073	End cover	1
01074	Oil proof rubber pad	2
01075	Nut	2
01076	Key	2
01077	Horizontal spindle	1
01078	12×8×45 Key	2
01079	Draw bar	1
01080	Indicator drop	3
01081	M10×10 Hexagon socket head cap screw	3
01082	8×30×1.6 Spring	3
01083	8 steel ball	3
01084	Handle seat	3
01085	5×40 Taper bolt	3
01086	Bush	3
01087	Shaft	1



# 02 Knee part

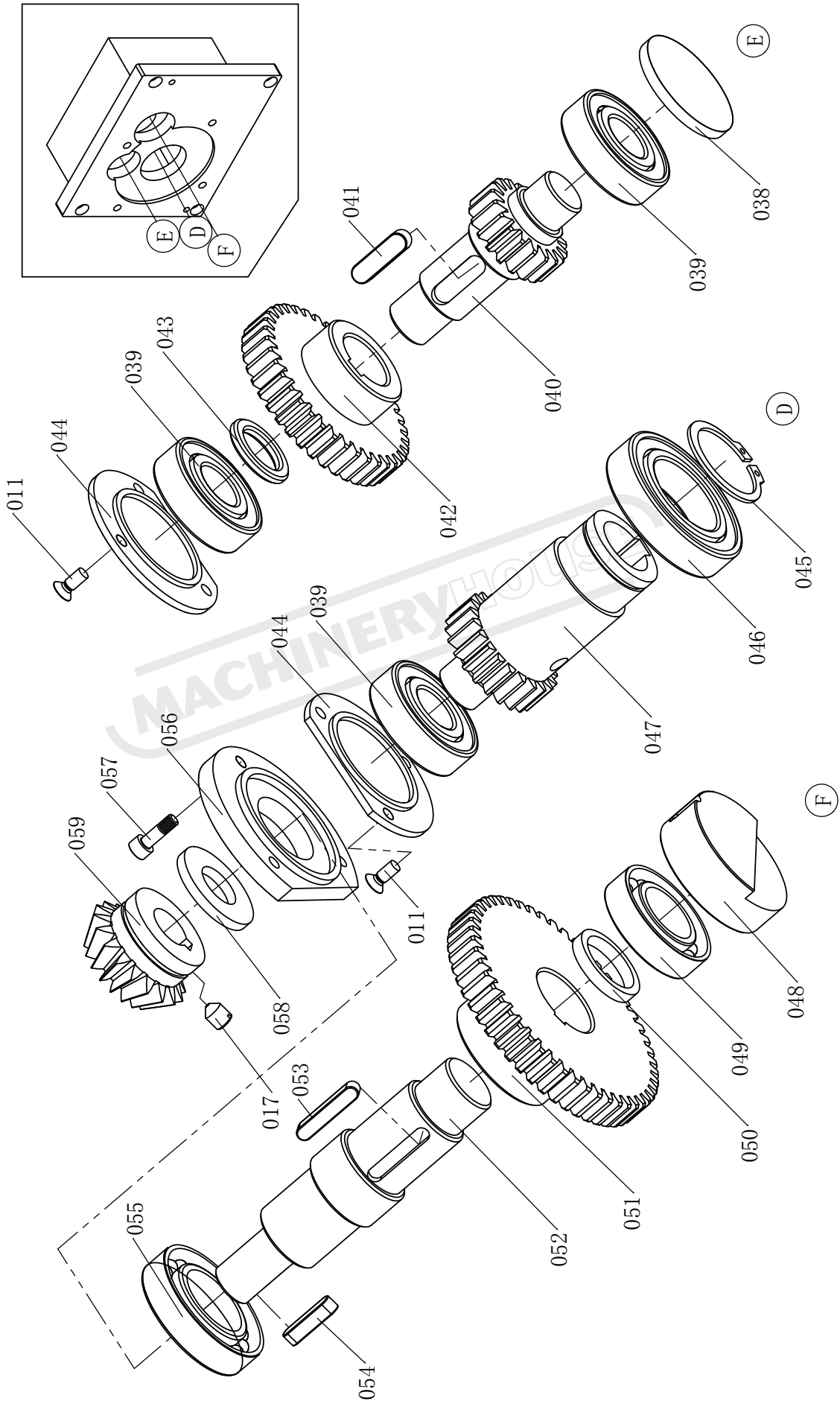
## Power lifting&falling structure





# 02 Knee part

## Power lifting&falling structure



# 02 Knee part

## Power lifting&falling structure

No.	Name of item	Qty
02001	380v 0.75Kw Motor	1
02002	M10×30 Hex. socket head bolt	4
02003	Oil-proof rubber washer	1
02004	M12×30 Hex. socket head bolt	4
02005	12 Washer	4
02006	Oil-proof rubber washer	1
02007	Box	1
02008	M5×12 Grose recessed pan head Screw	3
02009	Cover	1
02010	Pin	2
02011	M5×12 Grose recessed pan head Screw	12
02012	Cover board	1
02013	Oil-proof rubber washer	1
02014	Handle seat	1
02015	Handle bush	1
02016	Handle	1
02017	Hex. socket setscrew	6
02018	Adapter sleeve	1
02019	Shaft	1
02020	0.8×7×30 Spring	1
02021	20×42×12 Bearing	2
02022	Collar	1
02023	20 Distance ring	2
02024	20×37×9 Bearing	1
02025	37 Distance ring	1
02026	Clutch	1
02027	0.8×5×16 Spring	2
02028	6 Steel ball	2
02029	Dial	1

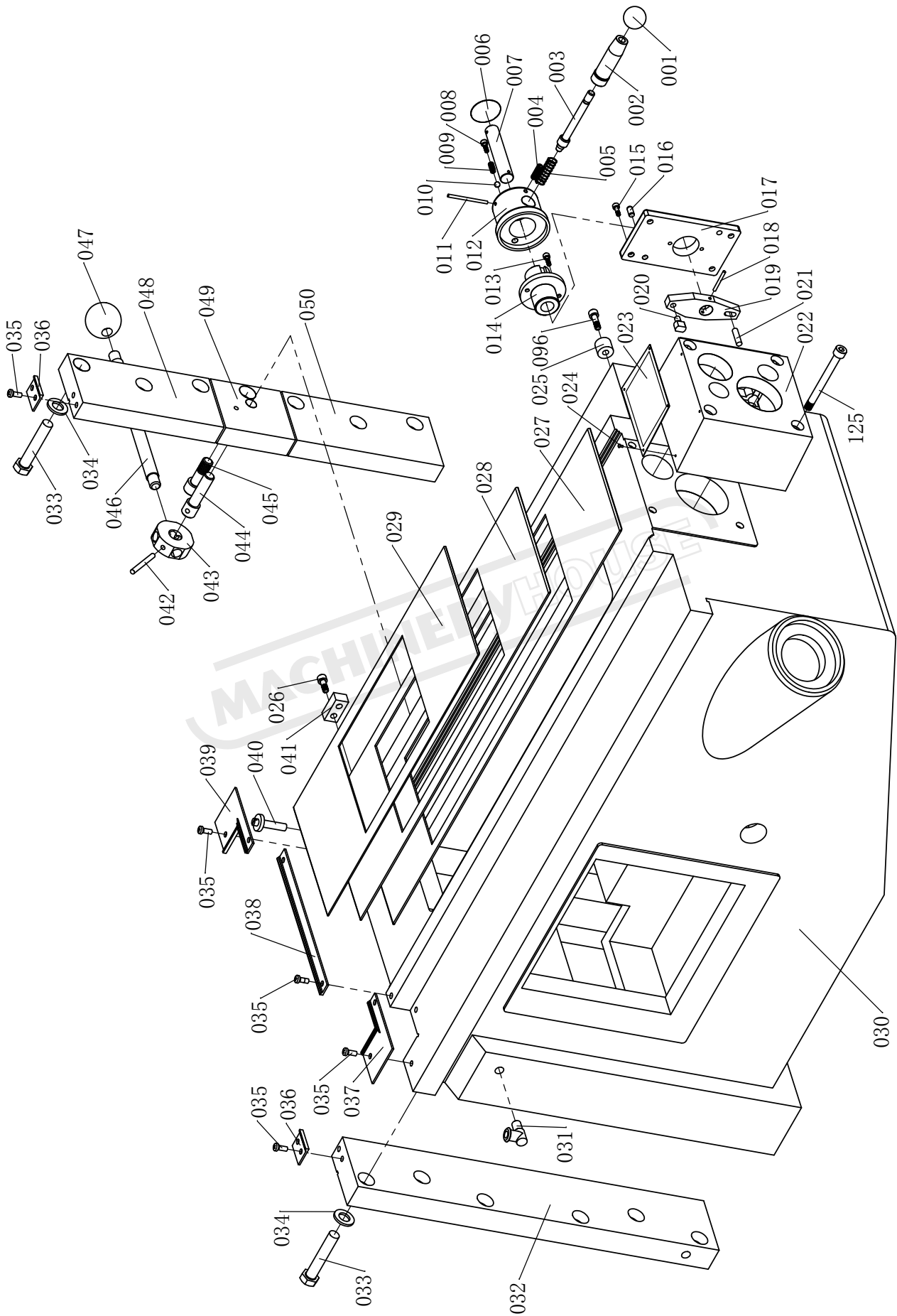
# 02 Knee part

## Power lifting&falling structure

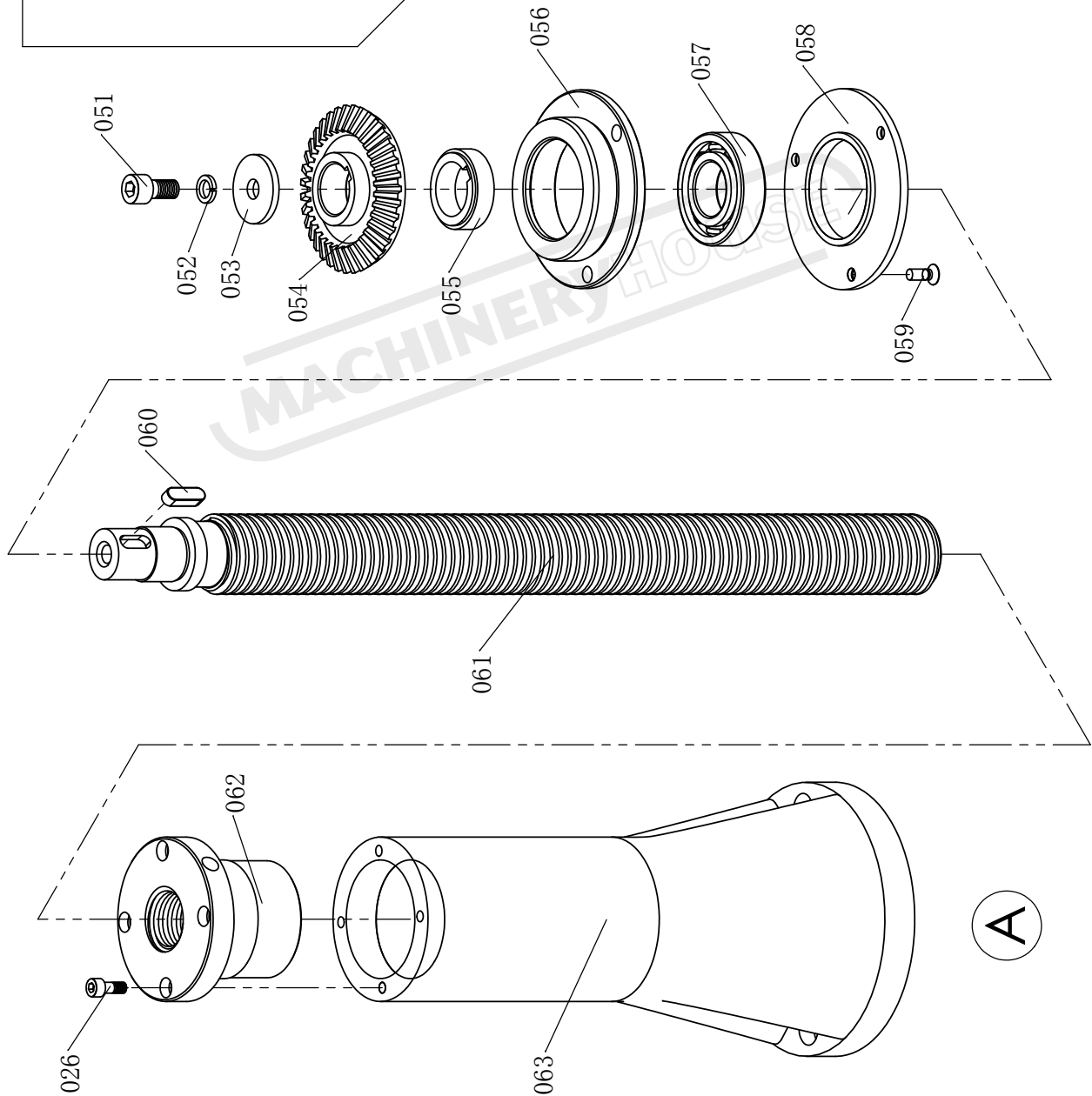
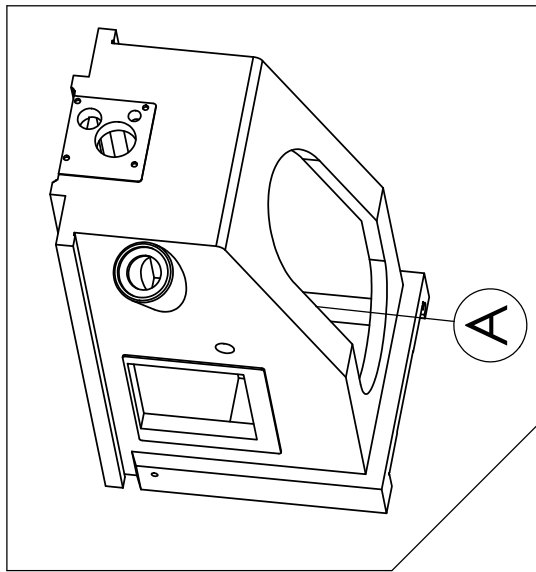
No.	Name of item	Qty
02030	Scutcheon	1
02031	Rivet	2
02032	Distance sleeve	1
02033	42 Distance ring	1
02034	M6×10 Hex. socket head bolt	3
02035	Bearing housing	1
02036	6×20 Key	1
02037	Elevating shaft	1
02038	Blanking cover	1
02039	20×47×14 Bearing	3
02040	Gear shaft	1
02041	8×7×28 Key	1
02042	Gear	1
02043	Collar	1
02044	End cover	2
02045	Shaft retaining ring	1
02046	35×62×14 Bearing	1
02047	Gear shaft	1
02048	Bush	1
02049	25×47×12 Bearing	1
02050	Washer	1
02051	Gear	1
02052	Shaft	1
02053	6×6×32 Key	1
02054	6×6×25 Key	1
02055	30×55×12 Bearing	1
02056	End cover	1
02057	M5×16 Hex. socket head bolt	3
02058	Washer	1



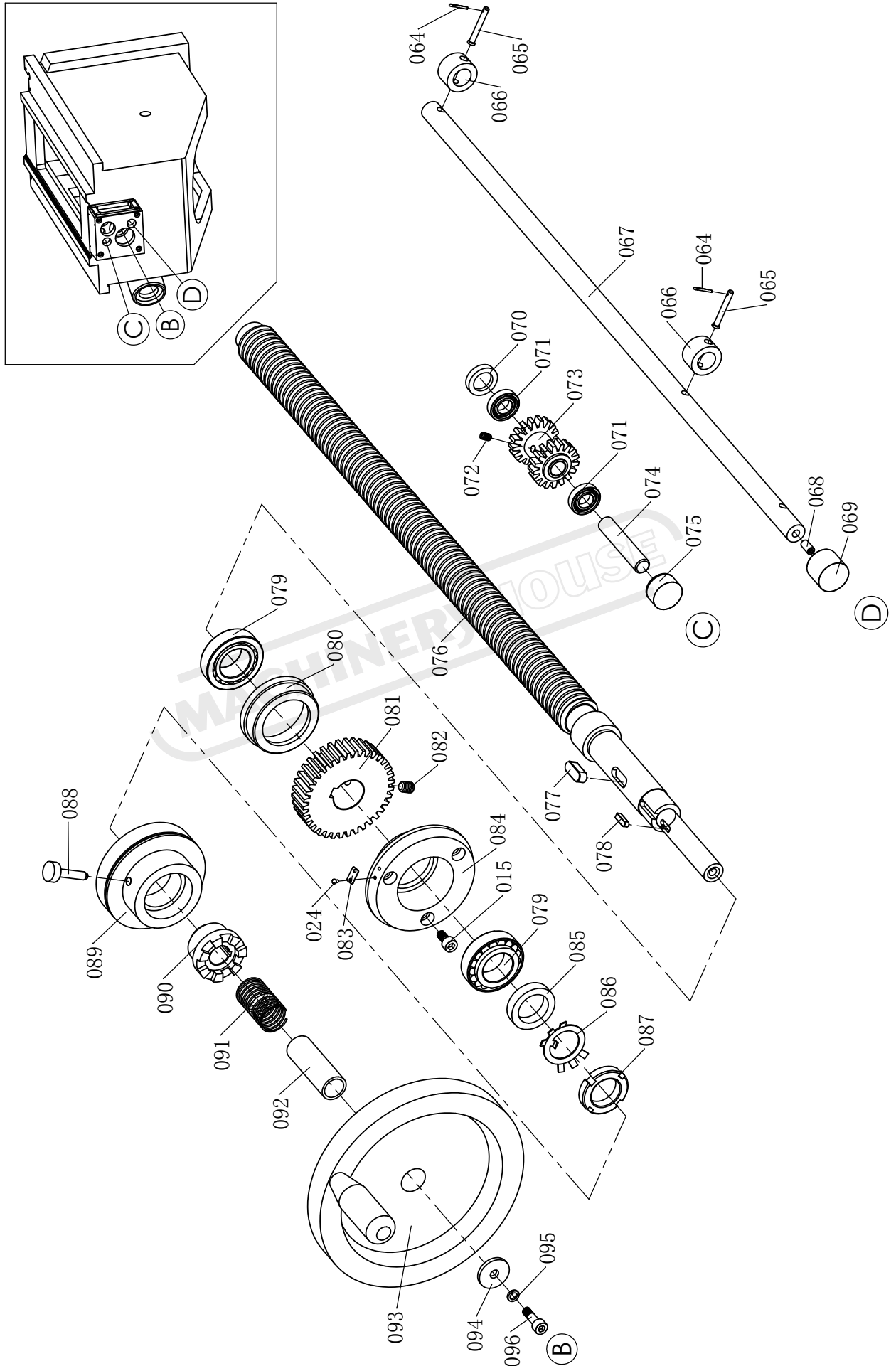
# 02 knee part



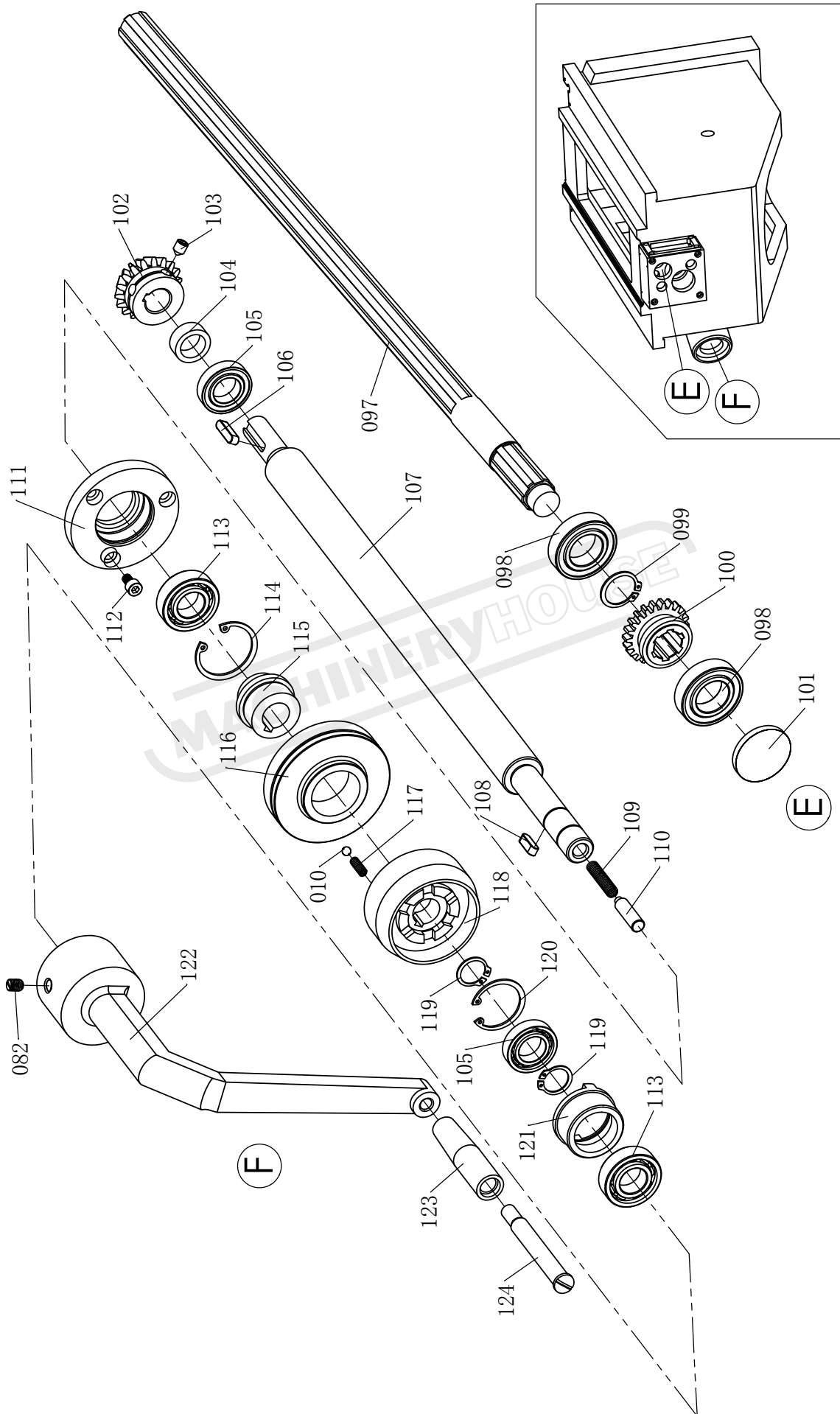
# 02 knee part



# 02 knee part



# 02 knee part





## 02 Knee Part

No.	Name of item	Qty
02001	A-M8×25 Ball knob	1
02002	Handle bush	1
02003	Handle lever	1
02004	M6×20 Setscrew with slotted flat end	1
02005	1×10×30 Pressure spring	1
02006	Scutcheon	1
02007	Shaft	1
02008	M8×8 Hex. setscrew with flat end	1
02009	0.8×5×15 Pressure spring	2
02010	6 Steel ball	3
02011	3×50 Taper pin	1
02012	Handle seat	1
02013	M4×12 Hex. socket head bolt	2
02014	Collar	1
02015	M6×12 Hex. socket head bolt	8
02016	6×12 Taper pin	2
02017	Cover board	1
02018	3×30 Cylinder pin	1
02019	Junction plate	4
02020	Shifting block	1
02021	A6×24 Cylinder pin	4
02022	Controlling box	1
02023	Scutcheon	1
02024	2×4 Rivet	6
02025	Stop	1
02026	M6×16 Hex. socket head bolt	6
02027	Wiper	1
02028	Wiper	1
02029	Wiper	1

## 02 Knee Part

No.	Name of item	Qty
02030	Saddle	1
02031	Oil cup	5
02032	Pressure plate	1
02033	M12×65 Hexagon head bolt	12
02034	Washer	13
02035	M5×12 Cross recessed pan head screw	14
02036	Wiper	2
02037	Wiper	1
02038	Wiper	1
02039	Wiper	1
02040	Adjusting screw	2
02041	Stop	1
02042	5×50 Taper bolt	1
02043	Lock sleeve	1
02044	Lead screw	1
02045	M12×35 Hex. socket head bolt	1
02046	Control lever	1
02047	Ball knob	1
02048	Pressure plate	1
02049	Pressure plate	1
02050	Pressure plate	1
02051	M10×20 Hex. socket head bolt	1
02052	10 Elastic washer	5
02053	Washer	1
02054	Bevel gear	1
02055	Spacer	1
02056	Bearing housing	1
02057	30×62×16 Deep groove ball bearing	1
02058	Gland	1

## 02 Knee Part

No.	Name of item	Qty
02059	M6×16 cross recessed countersunk flat head screw	3
02060	8×20 Flat key	1
02061	Elevating screw	1
02062	Nut	1
02063	Stanchion	1
02064	1.6×10 Cotter pin	2
02065	Wrist	2
02066	Collar	2
02067	Shaft	1
02068	M6×12 Hex. Flat end setscrew	1
02069	Collar	1
02070	Spacer	1
02071	12×24×6 Deep groove ball bearing	2
02072	M5×8 Setscrew with slotted taper end	1
02073	Dual articulated gear	1
02074	Staff	1
02075	Bearing cap	1
02076	Cross lead screw	1
02077	8×22 Flat key	1
02078	4×14 Flat key	1
02079	25×47×15 Tapered roller bearing	2
02080	Bearing housing	1
02081	Gear	1
02082	M8×10 Setscrew with slotted taper end	3
02083	Indicator drop	2
02084	Bearing housing	1
02085	Spacer	1
02086	Check washer	1
02087	Round nut	1

## 02 Knee Part

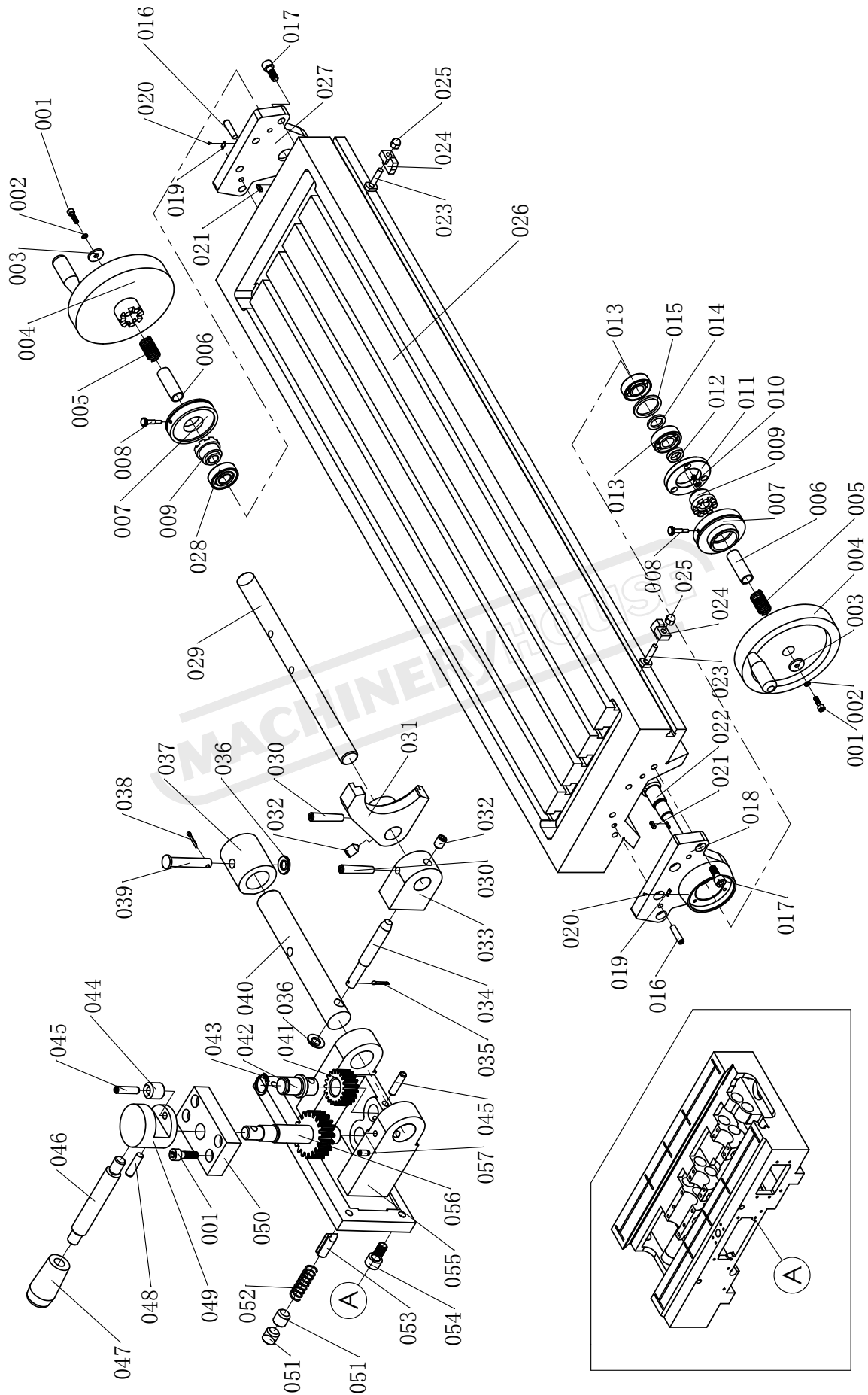
No.	Name of item	Qty
02088	Knurled screw	1
02089	Indexing ring	1
02090	Clutch	1
02091	1×22×30 Pressure spring	1
02092	Collar	1
02093	Handwheel	1
02094	Washer	1
02095	Elastic washer	1
02096	M6×20 Hex. socket head bolt	4
02097	Spline shaft	1
02098	25×47×12 Deep groove ball bearing	2
02099	25 Circlip	1
02100	Gear	1
02101	Bearing cap	1
02102	Bevel gear	1
02103	M8×10 Setscrew with slotted taper end	1
02104	Spacer	1
02105	20×37×9 Deep groove ball bearing	1
02106	6×25 Flat key	1
02107	Elevating shaft	1
02108	6×20 Flat key	2
02109	1×17×35 Pressure spring	1
02110	Shaft	1
02111	Bearing housing	1
02112	M6×10 Hex. socket head bolt	3
02113	20×42×12 Deep groove ball bearing	2
02114	42 Circlip	1
02115	Spacer	1
02116	Indexing ring	1

# 02 Knee Part

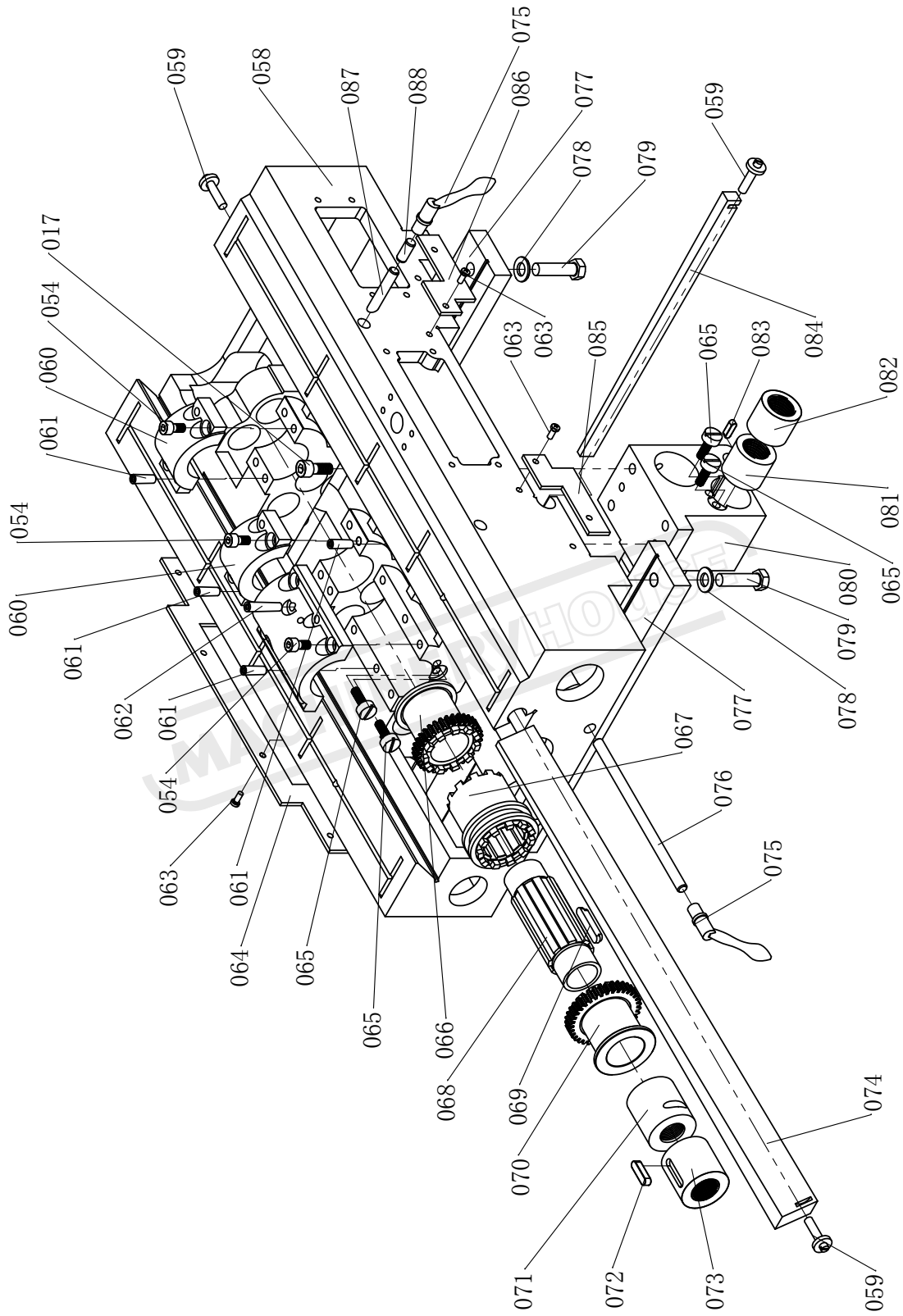
No.	Name of item	Qty
02117	0.8×5×16 Pressure spring	2
02118	Clutch	1
02119	20 Circlip	2
02120	37 Circlip	1
02121	Clutch	1
02122	Hand lever	1
02123	Bushing	1
02124	Handlebar	1
02125	M8×85 Hex. socket head bolt	4

MACHINERYHOUSE

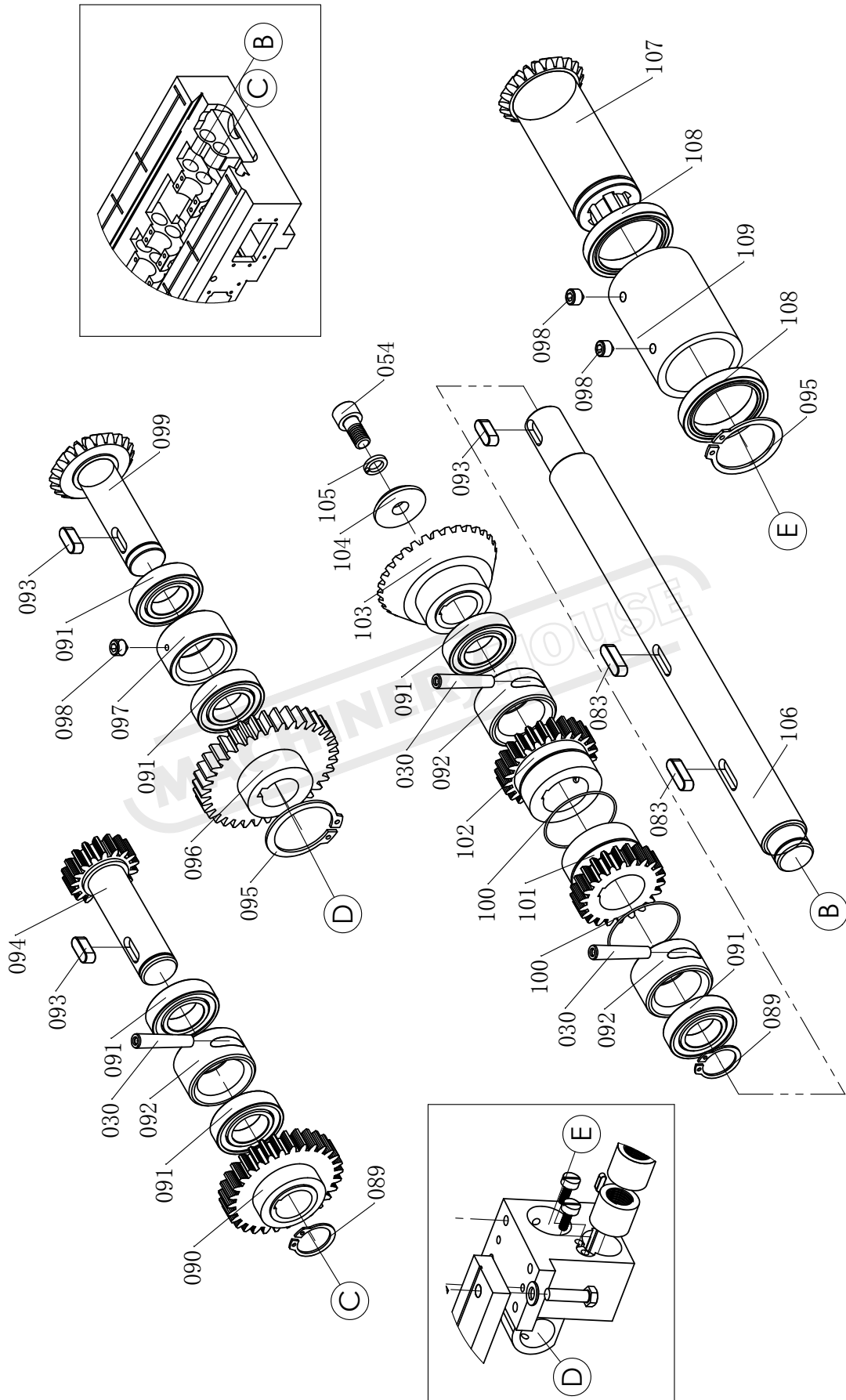
# 03 Table part



# 03 Table part



# 03 Table part





## 03 Table part

No.	Name of item	Qty
03001	M6×20 Hexagon socket head cap screw	6
03002	6 Spring washer	2
03003	Spacer	2
03004	Handwheel	2
03005	1×22×30 Pressure spring	2
03006	Collar	2
03007	Dial scale	2
03008	Knurled screw	2
03009	Clutch	2
03010	M6×12 Hexagon socket head cap screw	3
03011	Bearing cap	1
03012	Collar	1
03013	20×47×14 Bearing	2
03014	Spacer	1
03015	Spacer	1
03016	A8×35 Screw taper pin	4
03017	M10×25 Hexagon socket head cap screw	12
03018	Bracket (left)	1
03019	Scutcheon	2
03020	2×4 Rivet	4
03021	4×14 Flat key	2
03022	Leads crew	1
03023	M8×10 T-Bolt	2
03024	Block	2
03025	Hexagon nut	2
03026	Table	1
03027	Bracket (right)	1
03028	20×47×14 Bearing	1
03029	Shaft	1

## 03 Table part

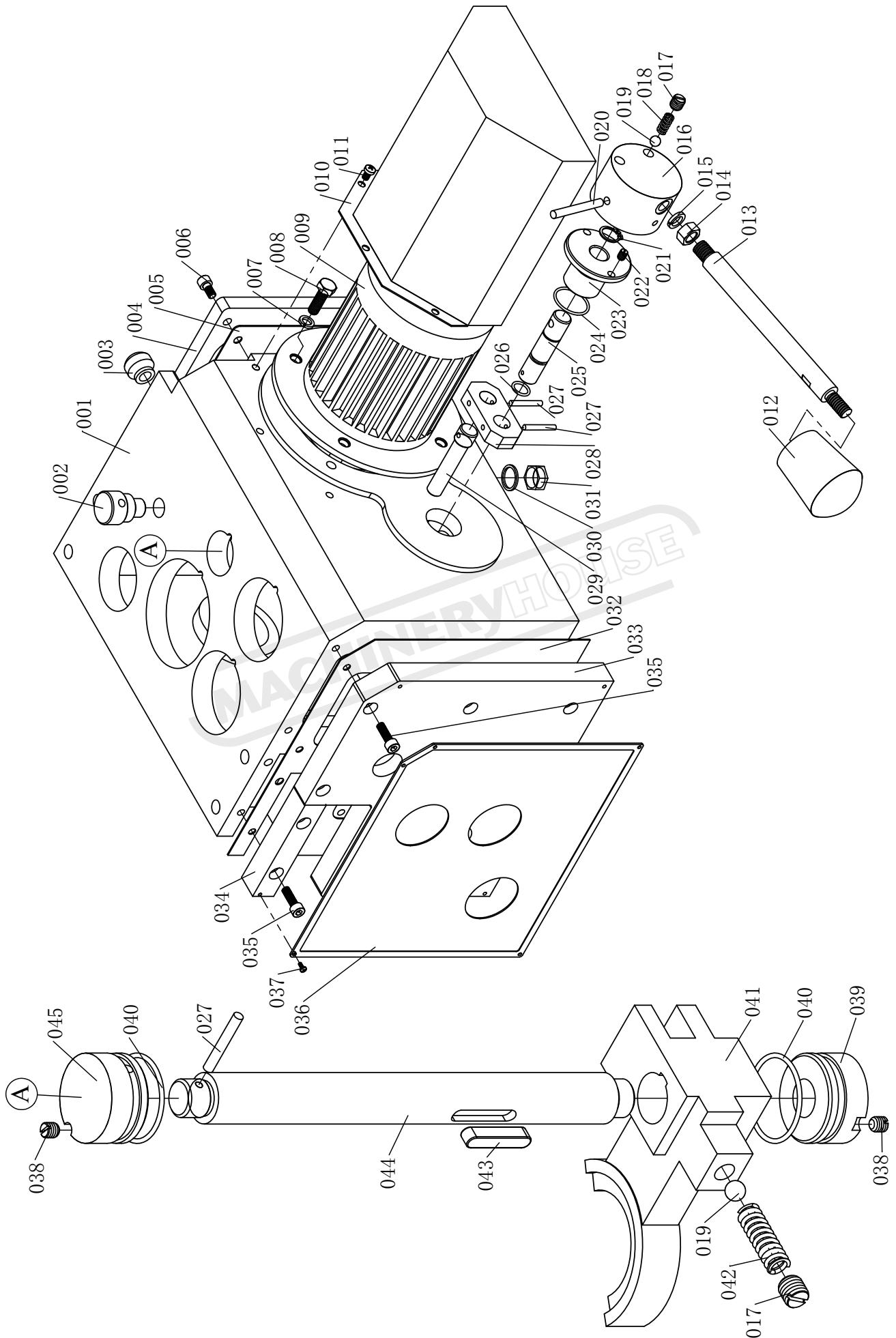
No.	Name of item	Qty
03030	A6×35 Screw taper pin	5
03031	Shifting fork	1
03032	M8×12 Setscrew with hex. socket flat end	2
03033	Shifting block	1
03034	Shifting pin	1
03035	2×12 Cotter pin	1
03036	8 Flat washer	2
03037	Bush	1
03038	3.2×12 Cotter pin	1
03039	B8×45 Wrist	1
03040	Shaft	1
03041	Gear	1
03042	Shaft	1
03043	15 Retaining ring	1
03044	Idler wheel	1
03045	A6×24 Screw cylindrical pin	2
03046	Handle lever	1
03047	Grip	1
03048	A6×24 Screw taper pin	1
03049	Lever boss	1
03050	Stop	1
03051	M12×12 Setscrew with hex. socket flat end	2
03052	1.2×8×35 Pressure spring	1
03053	Dowel pin	1
03054	M8×16 hexagon socket head cap screw	13
03055	Plate	1
03056	Gear shaft	1
03057	M5×10 Setscrew with hex. socket head	1
03058	Saddle	1

## 03 Table part

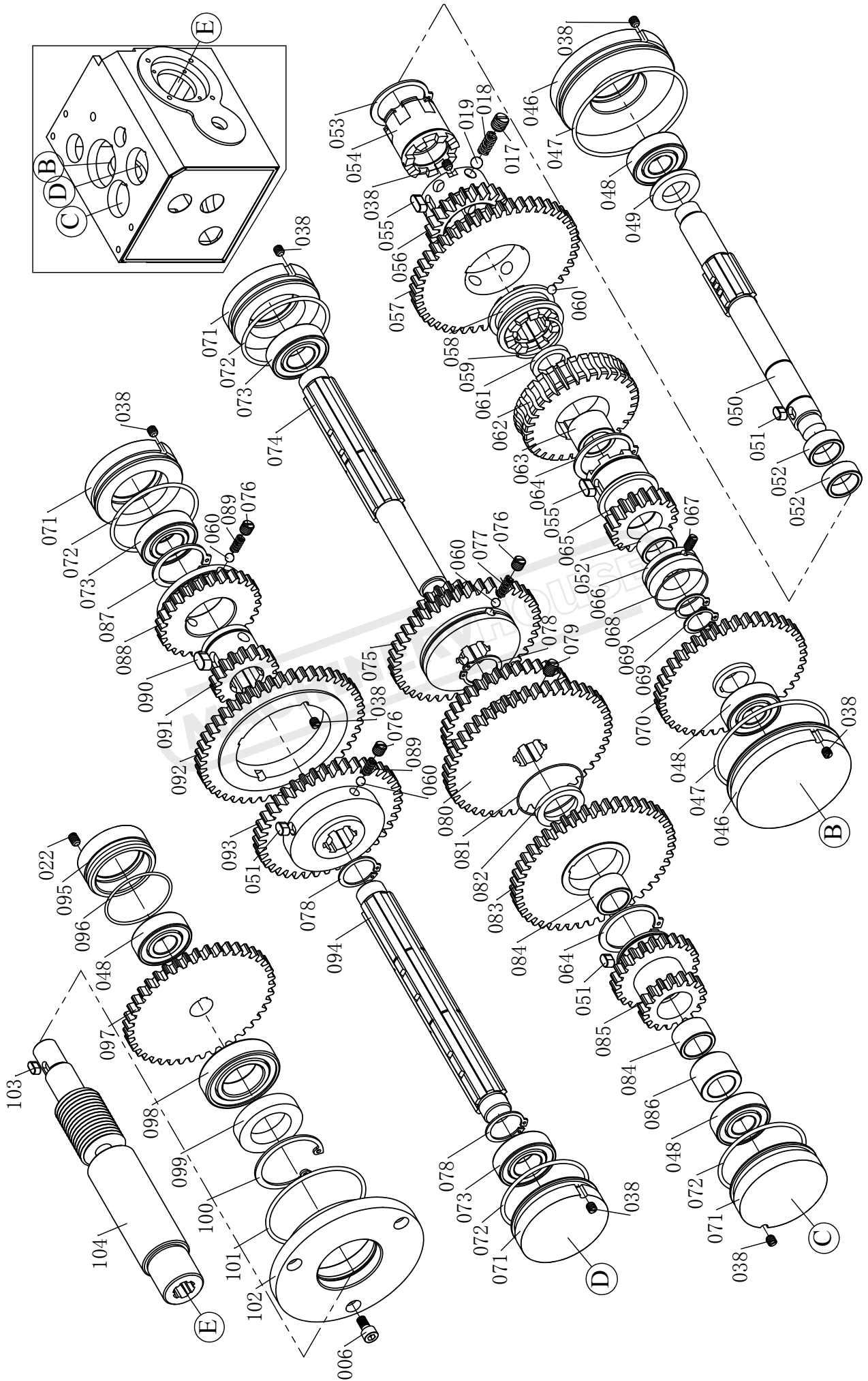
No.	Name of item	Qty
03059	Adjusting screw	4
03060	Gear cover	2
03061	A8×25 Screw taper pin	8
03062	A8×40 Screw taper pin	2
03063	M5×12 Cross recessed head screw	8
03064	Wiper	1
03065	Bolt	4
03066	Gear	1
03067	Sliding bush	1
03068	Spline housing	1
03069	Sliding key	1
03070	Gear	1
03071	Nut	1
03072	8×30 Flat key	1
03073	Nut	1
03074	Gib	1
03075	M12×58×25 Screw	4
03076	Pressure plate	2
03077	Stop	2
03078	12 Plain washer	10
03079	M12×45 Hexagon head bolt	10
03080	Nut base	1
03081	Nut	1
03082	Nut	1
03083	6×20 Flat key	3
03084	Gib	1
03085	Wiper	1
03086	Wiper	1
03087	Pressure plate	2



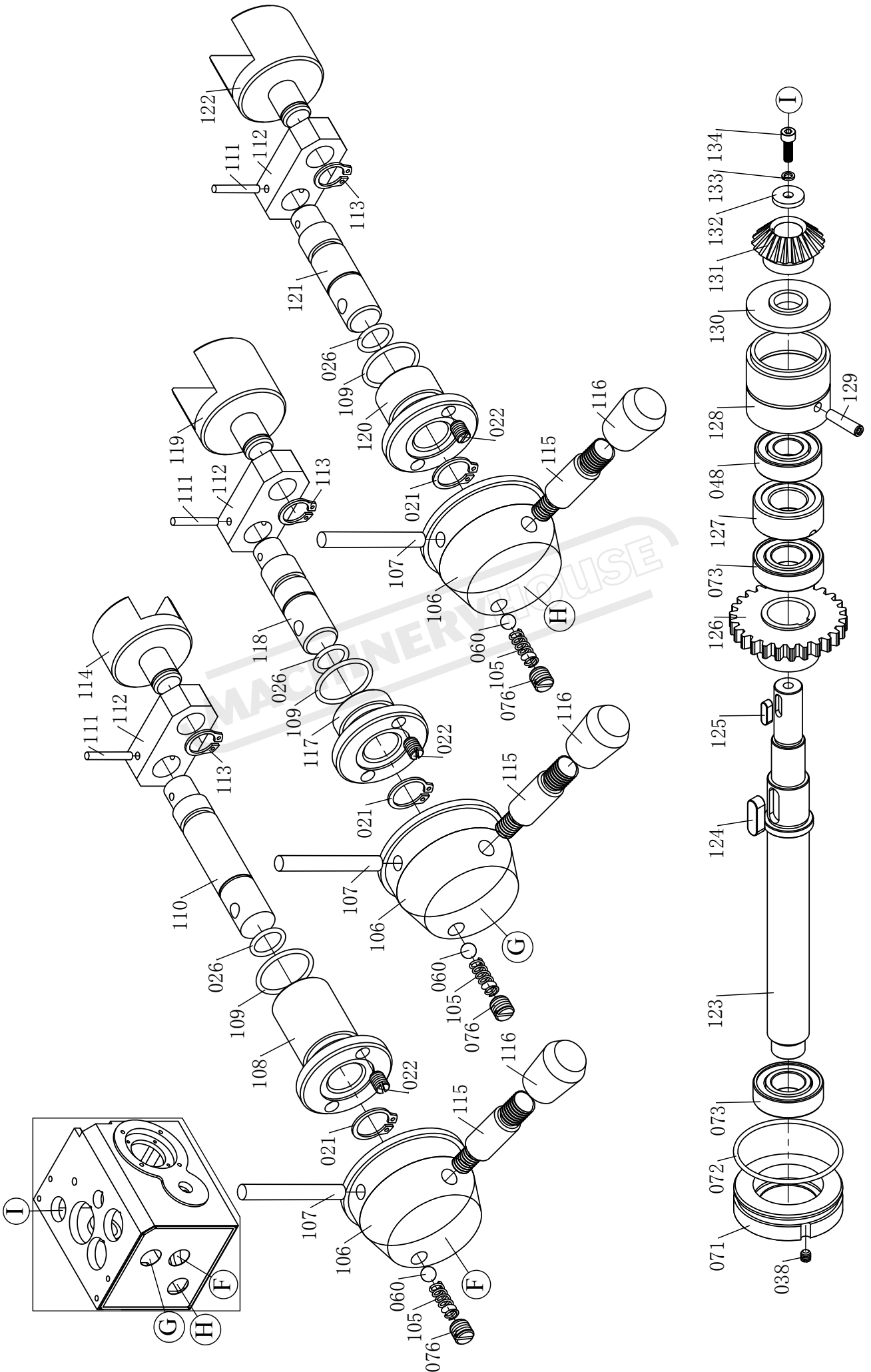
# 04 Feeding box part



# 04 Feeding box part



# 04 Feeding box part



## 04 Feeding box part

NO.	Name	Qty
04001	Feeding box	1
04002	Oil plug	1
04003	A10(M16×1.5) Oil scale	1
04004	Cover board	1
04005	Spacer	1
04006	M6×12 Hex. socket head bolt	7
04007	8 Spring washer	4
04008	M8×25 Bolt	4
04009	Motor	1
04010	Protector	1
04011	M5×8 Cross recessed pan head screw	3
04012	M12×60 Grip	1
04013	Lever	1
04014	M10 Nut	1
04015	10 Spring washer	1
04016	Lever boss	1
04017	M10×10 Setscrew with slotted flat end	9
04018	1.2×6.5×16 Pressure spring	9
04019	8 Steel ball	9
04020	A6×55 Taper pin	1
04021	15 Shaft retaining ring	4
04022	M6×8 Setscrew with slotted flat end	6
04023	Bush	1
04024	26.5×1.8 O-Ring	1
04025	Shaft	1
04026	11.8×1.8 O-Ring	4
04027	A4×30 Taper pin	3
04028	Junction plate	1
04029	Shaft	1



## 04 Feeding box part

NO.	Name	Qty
04030	Φ20×Φ16.2×1.5 Copper backing	1
04031	M16×1.5 Oil plug	1
04032	Spacer	1
04033	Cover board	1
04034	Block	1
04035	M6×22 Hex. socket head bolt	8
04036	Name plate	1
04037	M2.5×6 Cross recessed pan head screw	5
04038	M6×6 Setscrew with slotted flat end	29
04039	Plug	1
04040	31.5×1.8 O-Ring	2
04041	Shifting block	1
04042	1.6×8×30 Pressure spring	3
04043	6×30 Flat key	1
04044	Shaft	1
04045	Plug	1
04046	Bearing cap	2
04047	80×2.65 O-Ring	2
04048	6203-Z Bearing	5
04049	Collar	1
04050	Shaft	1
04051	6×10 Flat key	3
04052	Collar	3
04053	38 Shaft retaining ring	1
04054	Collar	1
04055	6×14 Flat key	2
04056	Gear	1
04057	Gear	1
04058	Clutch	1

## 04 Feeding box part

NO.	Name	Qty
04059	Positioning ring	1
04060	6 Steel ball	13
04061	Spacer	1
04062	Worm wheel	1
04063	Collar	1
04064	Retaining ring	1
04065	Gear	1
04066	Retaining ring	1
04067	M6×12 Setscrew with slotted taper end	1
04068	Φ1×130 Iron wire	1
04069	Retaining ring	2
04070	Gear	1
04071	Bearing cap	5
04072	60×2.65 O-Ring	5
04073	6004-Z Bearing	5
04074	Spline shaft	1
04075	Gear	1
04076	M8×8 Setscrew with slotted flat end	9
04077	1×5×16 Pressure spring	2
04078	Retaining ring	3
04079	M8×12 Setscrew with slotted taper end	1
04080	Gear	1
04081	Φ1×400 Iron wire	1
04082	Spacer	1
04083	Gear	1
04084	Collar	2
04085	Gear	1
04086	Collar	1
04087	Retaining ring	1

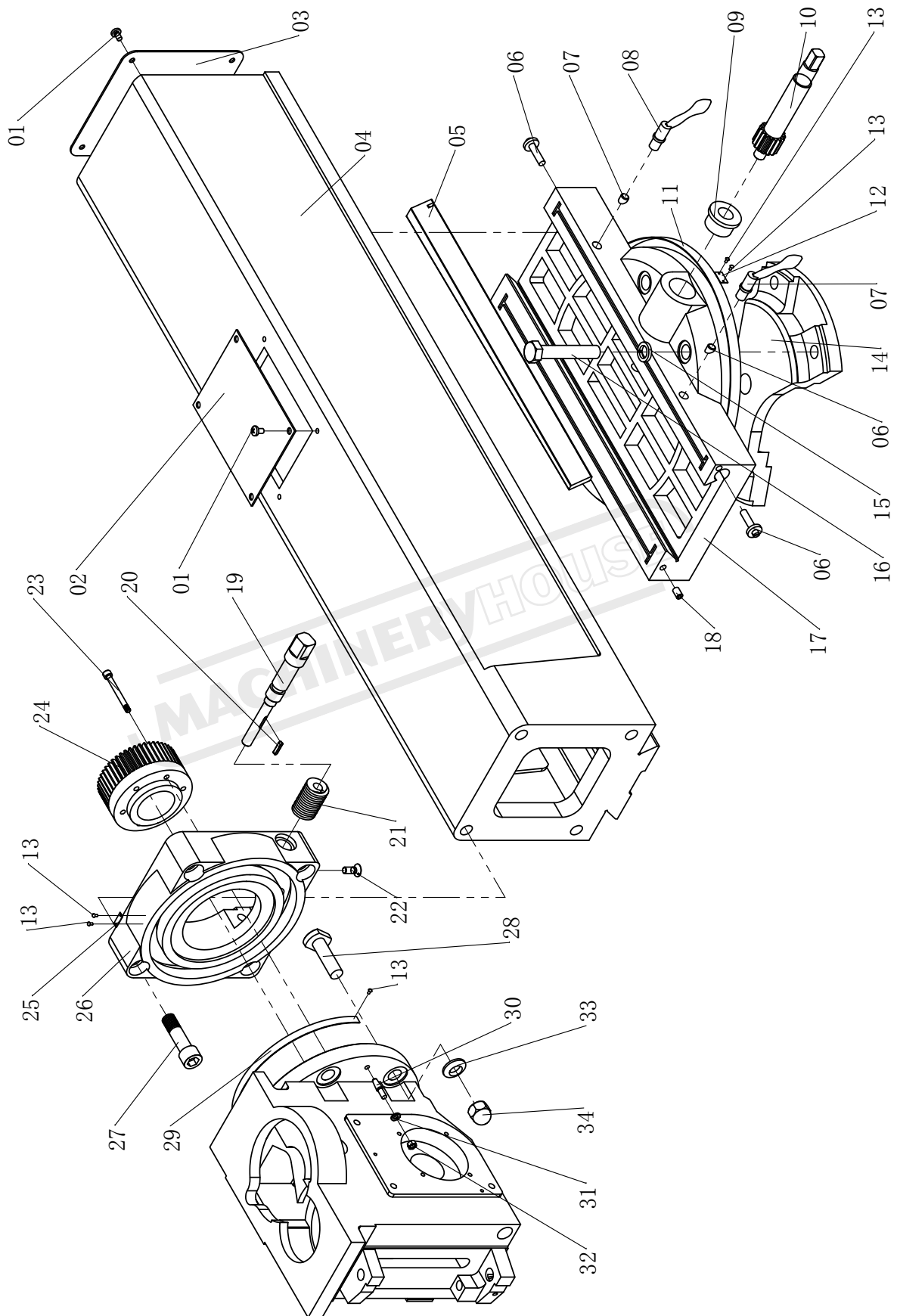
## 04 Feeding box part

NO.	Name	Qty
04088	Gear	1
04089	1×5×12 Pressure spring	4
04090	8×14 Flat key	1
04091	Gear	1
04092	Gear	1
04093	Gear	1
04094	Spline shaft	1
04095	Bearing cap	1
04096	46.2×1.8 O-Ring	1
04097	Gear	1
04098	6006-Z Bearing	1
04099	FB3047 Joint ring	1
04100	47 Retaining ring for hole	1
04101	69×2.65 O-Ring	1
04102	Bearing house	1
04103	5×10 Flat key	1
04104	Worm	1
04105	0.8×5×16 Pressure spring	3
04106	Lever boss	3
04107	A6×50 Taper pin	3
04108	Bush	1
04109	21.2×1.8 O-Ring	3
04110	Shaft	1
04111	A3×22 Taper pin	3
04112	Board	3
04113	12 Shaft retaining ring	3
04114	Shifting fork	1
04115	Lever	3
04116	A-M10×32(black) Grip	3

## 04 Feeding box part

NO.	Name	Qty
04117	Bush	1
04118	Shaft	1
04119	Shifting fork	1
04120	Bush	1
04121	Shaft	1
04122	Shifting fork	1
04123	Shaft	1
04124	8×25 Flat key	1
04125	5×16 Flat key	1
04126	Gear	1
04127	Bush	1
04128	Bearing house	1
04129	A6×26 Taper pin	1
04130	Spacer	1
04131	Taper gear	1
04132	Spacer	1
04133	Retainer ring	1
04134	M5×16 Hex. socket head bolt	1

# 05 Ram part

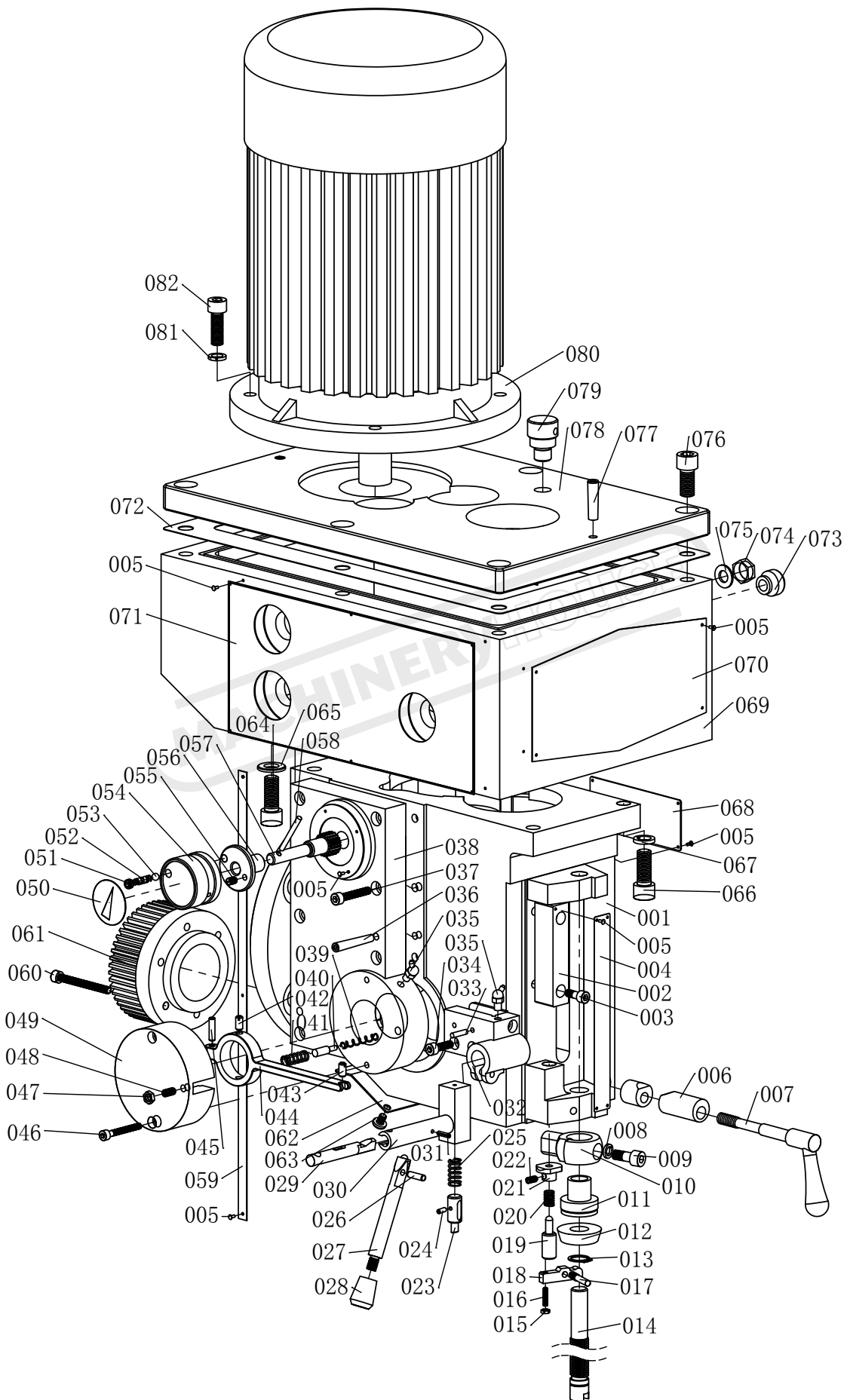


## 05 Ram part

No.	Name of item	Qty
05001	M6×10 Cross recessed pan head screw	8
05002	Cover board	1
05003	Cover board	1
05004	Ram	1
05005	Gib	1
05006	Adjusting screw	2
05007	Block	2
05008	Handlebar	2
05009	Supporting bushing	1
05010	Gear shaft	1
05011	Angle scale	1
05012	Indicator drop	1
05013	2.5×5 Rivet	8
05014	Spider wheel	1
05015	16 circlip	4
05016	M16×90 bolt	4
05017	Revolving bed	1
05018	8 oil cup	2
05019	Shaft	1
05020	4×20 Key	1
05021	Worm wheel	1
05022	Locating screw	1
05023	M6×60 Hexagon socket head cap screw	6
05024	Bevel gear	1
05025	Indicator drop	1
05026	Junction plate	1
05027	M16×60 Hexagon socket head cap screw	4
05028	T- bolt	4
05029	Scale	1

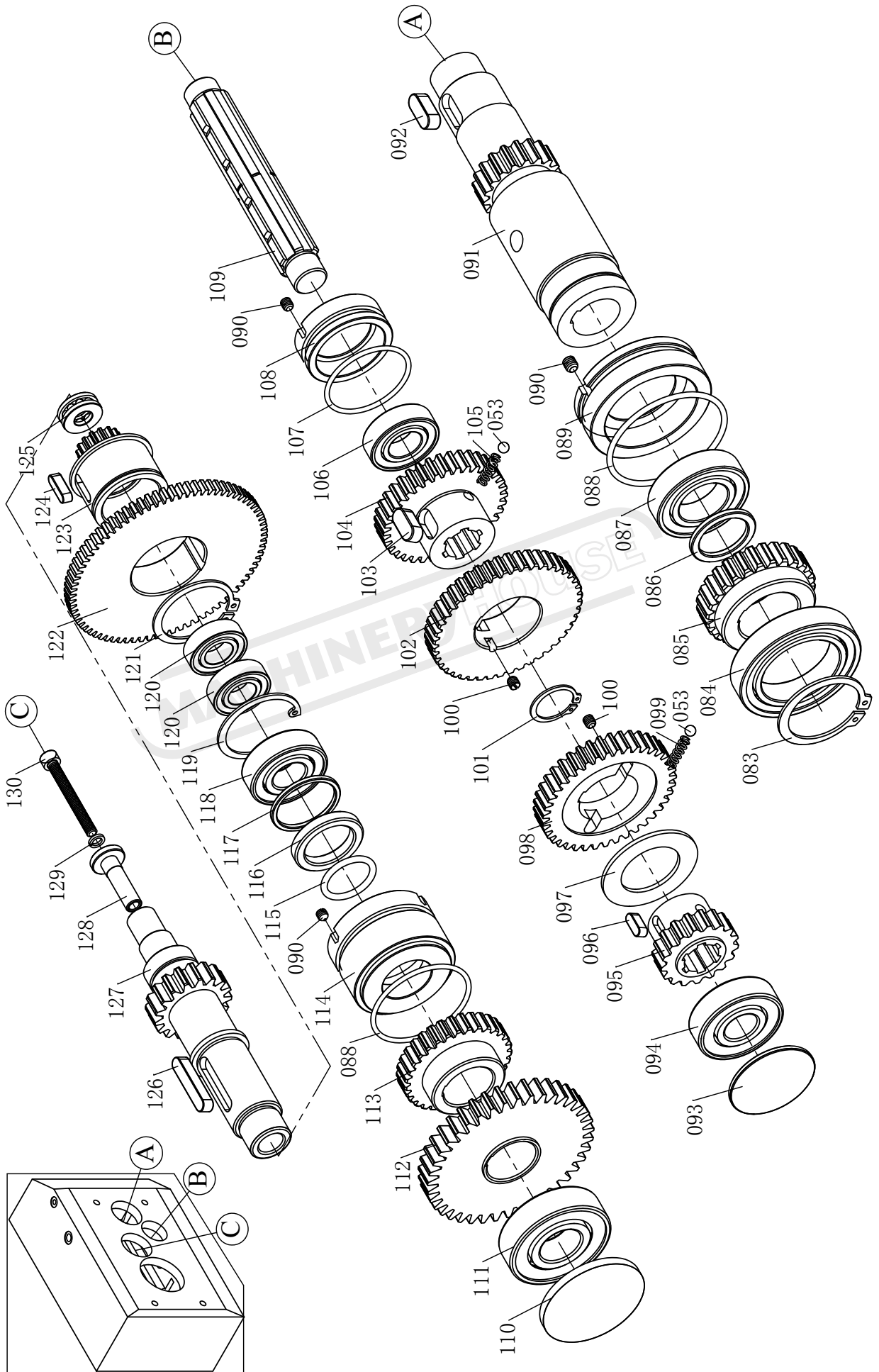


# 06 Headstock & gear-box part

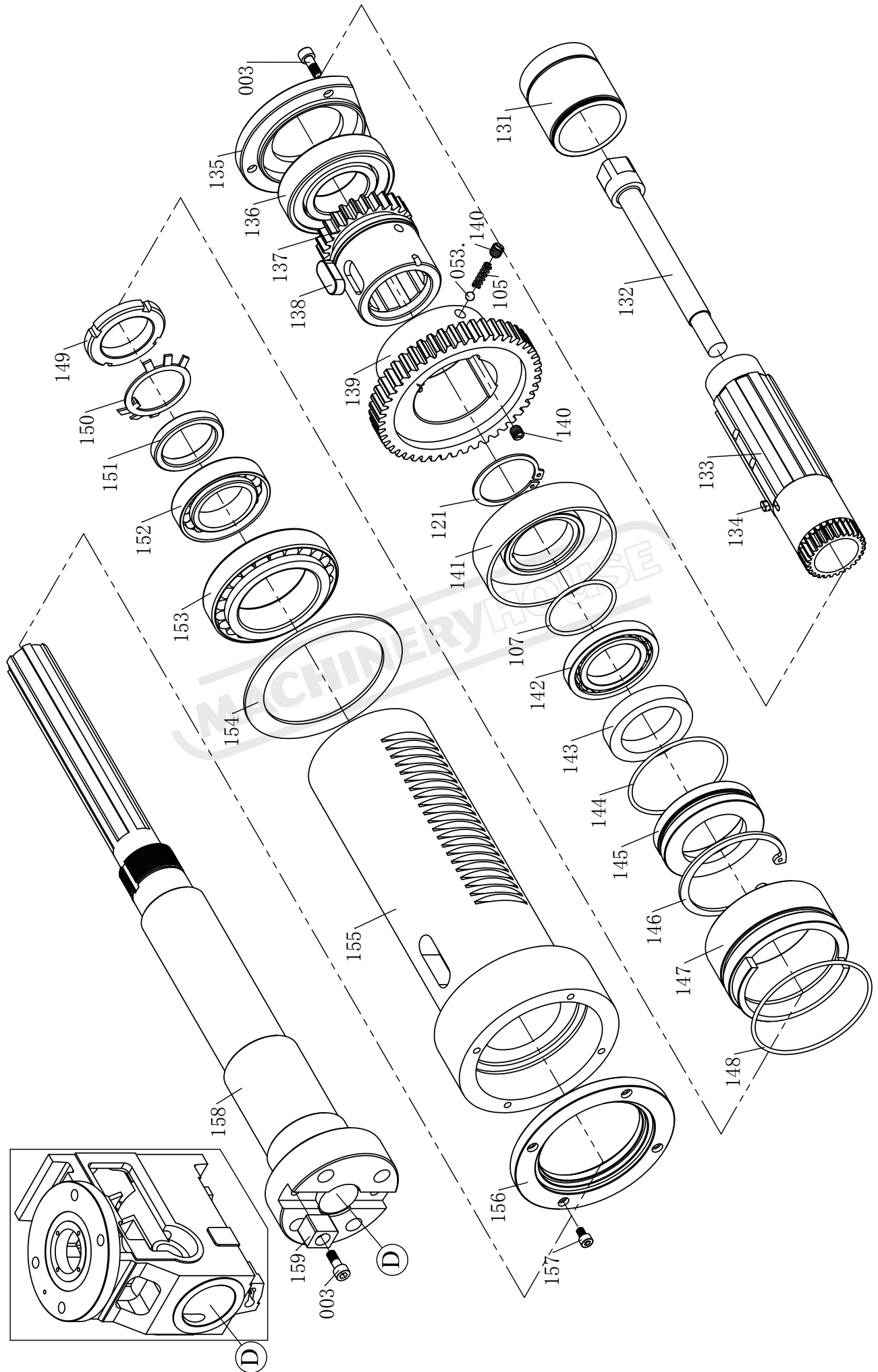




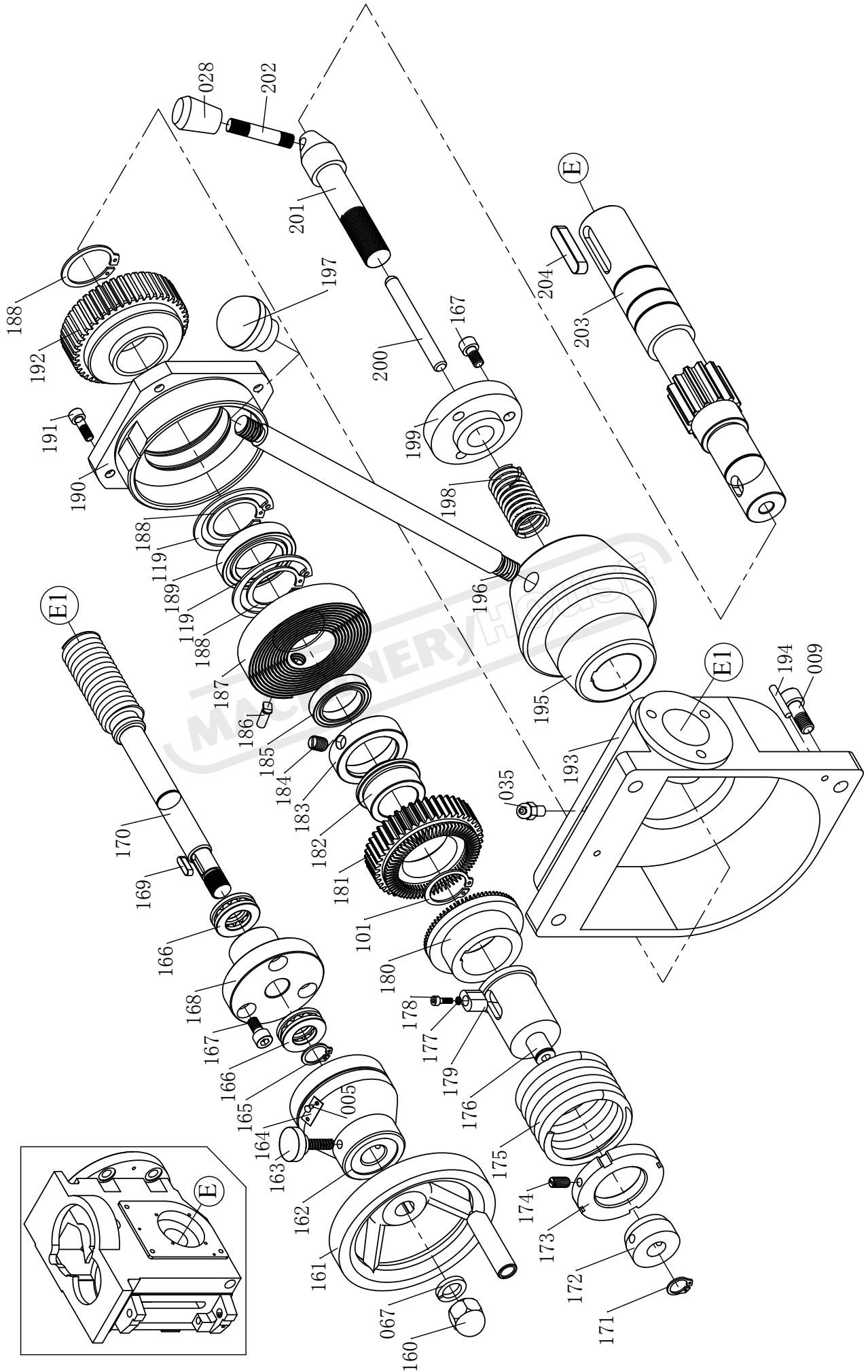
# 06 Headstock & gear-box part



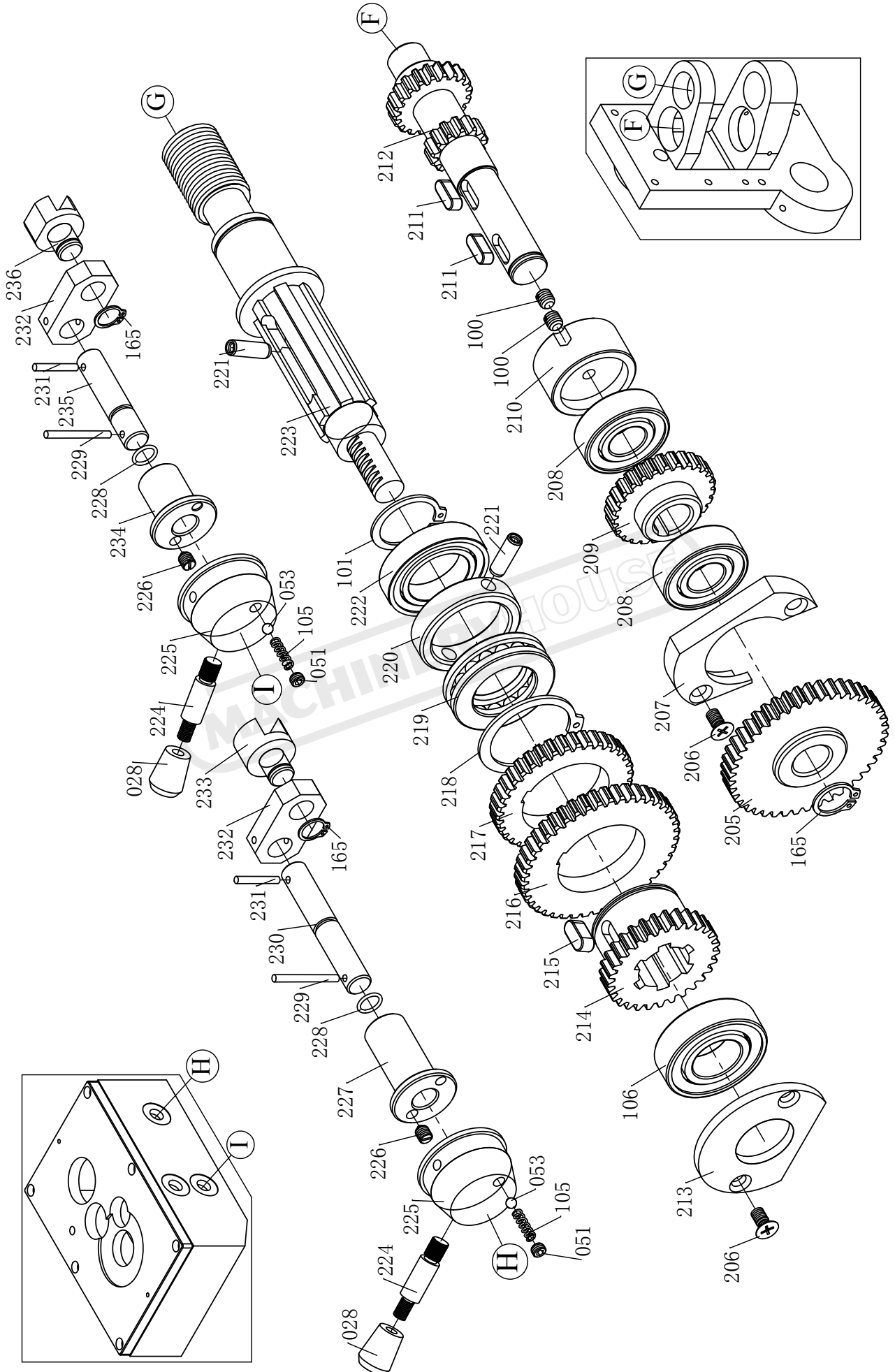
# 06 Headstock & gear-box part



# 06 Headstock & gear-box part



# 06 Headstock & gear-box part



## 06 Headstock & gear-box part

No.	Name of item	Qty
06001	Headstock	1
06002	Block	1
06003	M6×16 Hex.socket head bolt	7
06004	Scale	1
06005	2×5 Rivet	23
06006	Clamping block	1
06007	Adjustable clamping lever	1
06008	Spring washer 8	1
06009	M8×20 Hex.socket head bolt	4
06010	Limit stop	1
06011	Nut	1
06012	Lock nut	1
06013	16 Shaft retaining ring	1
06014	Screw bolt	1
06015	M4 Hexagon thin nut	1
06016	M4×16 Setscrew with hex.socket flat end	1
06017	Screw pin	1
06018	Pry bar	1
06019	Pin	1
06020	0.8×8×12 Pressure spring	1
06021	Collar	1
06022	M5×10 Setscrew with slotted flat end	1
06023	Shaft	1
06024	3×10 Spring pin	1
06025	1.2×10×22 Pressure spring	1
06026	5×18 Cylindrical pin	1
06027	Control lever	1
06028	Grip	5
06029	Shaft	1

## 06 Headstock & gear-box part

No.	Name of item	Qty
06030	Bracket	1
06031	3×14 Spring pin	1
06032	Bracket	1
06033	A4×18 Taper pin	2
06034	M6×20 Hex.socket head bolt	3
06035	Oil cup M6	3
06036	A6×45 Screw taper pin	2
06037	M6×35 Hex.socket head bolt	6
06038	Bracket	1
06039	1×5×40 Pressure spring	1
06040	Pin	1
06041	1.2×8×25 Coil spring	1
06042	6×16 Screw cylindrical pin	2
06043	5×14 Spring pin	1
06044	Connecting rod	1
06045	5×24 Cylindrical pin	2
06046	M5×40 Hex.socket head bolt	2
06047	M6 Hexagon thin nut	1
06048	M6×14 Setscrew with hex.socket flat end	1
06049	Cover	1
06050	Indicator	1
06051	M8×5 Setscrew with hex.socket flat end	4
06052	0.8×5×17 Pressure spring	1
06053	6 Steel ball	10
06054	Lever boss	1
06055	M6×10 Setscrew with slotted taper end	1
06056	Collar	1
06057	Gear	1
06058	A4×40 Taper pin	2

## 06 Headstock & gear-box part

No.	Name of item	Qty
06059	Scale	1
06060	M6×60 Hex.socket head bolt	6
06061	Bevel gear	1
06062	Cover	1
06063	M6×8 Slotted pan head screw	4
06064	M12×30 Hex.socket head bolt	2
06065	12 Plain washer	2
06066	M12×30 Bolt	2
06067	12 Spring washer	3
06068	Name plate	1
06069	Gear-box	1
06070	Sign board	1
06071	Name plate	1
06072	Spacer	1
06073	Oil scale	1
06074	Oil plug	1
06075	10 Plain washer	1
06076	M12×25 Hex.socket head bolt	6
06077	8×35 Screw taper pin	2
06078	Cover	1
06079	Oil plug	1
06080	Motor	1
06081	10 Spring washer	4
06082	M10×30 Hex.socket head bolt	4
06083	40 Shaft retaining ring	1
06084	61908-RZ Bearing	1
06085	Gear	1
06086	Collar	1
06087	6005-Z Bearing	1

## 06 Headstock & gear-box part

No.	Name of item	Qty
06088	56×2.65 O-Ring	2
06089	Cover	1
06090	M6×6 Setscrew with slotted taper end	4
06091	Shaft	1
06092	8×20 Flat key	1
06093	Cover	1
06094	6304 Bearing	1
06095	Gear	1
06096	6×16 Flat key	1
06097	Cover	1
06098	Gear	1
06099	0.8×5×24 Pressure spring	2
06100	M6×6 Setscrew with slotted flat end	6
06101	25 Shaft retaining ring	2
06102	Gear	1
06103	10×20 Flat key	1
06104	Gear	1
06105	0.8×5×20 Pressure spring	11
06106	6004 Bearing	2
06107	47.5×2.65 O-Ring	2
06108	Cover	1
06109	Shaft	1
06110	Cover	1
06111	6305 Bearing	1
06112	Gear	1
06113	Gear	1
06114	Collar	1
06115	26.5×1.8 O-Ring	1
06116	B30×42×7 Oil seal	1



## 06 Headstock & gear-box part

No.	Name of item	Qty
06117	Spacer	1
06118	6204 Bearing	1
06119	47 Retaining ring for hole	3
06120	6003 Bearing	2
06121	45 Shaft retaining ring	2
06122	Gear	1
06123	Gear	1
06124	6×20 Flat key	1
06125	51100 Bearing	1
06126	8×40 Flat key	1
06127	Gear	1
06128	Collar	1
06129	6 Spring washer	1
06130	M6×55 Hex.socket head bolt	1
06131	Cap	1
06132	Drag rod	1
06133	Spline bush	1
06134	4×8 Flat key	1
06135	Cover	1
06136	6208-Z Bearing	1
06137	Gear	1
06138	12×28 Flat key	1
06139	Gear	1
06140	M8×8 Setscrew with slotted flat end	3
06141	Collar	1
06142	16009 Bearing	1
06143	B45×62×12 Oil seal	1
06144	69×2.65 O-Ring	1
06145	Collar	1

## 06 Headstock & gear-box part

No.	Name of item	Qty
06146	75 Retaining ring for hole	1
06147	Collar	1
06148	85×2.65 O-Ring	1
06149	M39×1.5 Round nut	1
06150	39 Check washer	1
06151	Spacer	1
06152	7008AC Bearing	1
06153	32012 Bearing	1
06154	Spacer	1
06155	Sleeve	1
06156	Cover	1
06157	M5×8 Hex.socket head bolt	4
06158	Main shaft	1
06159	Key	2
06160	M12 Nut	1
06161	Handwheel	1
06162	Dial	1
06163	Knurled screw	1
06164	Indicator	1
06165	15 Shaft retaining ring	4
06166	51102 Bearing	2
06167	M6×12 Hex.socket head bolt	6
06168	Flange	1
06169	4×14 Flat key	1
06170	Worm	1
06171	12 Shaft retaining ring	5
06172	Collar	1
06173	Nut	1
06174	M6×12 Setscrew with slotted flat end	1

## 06 Headstock & gear-box part

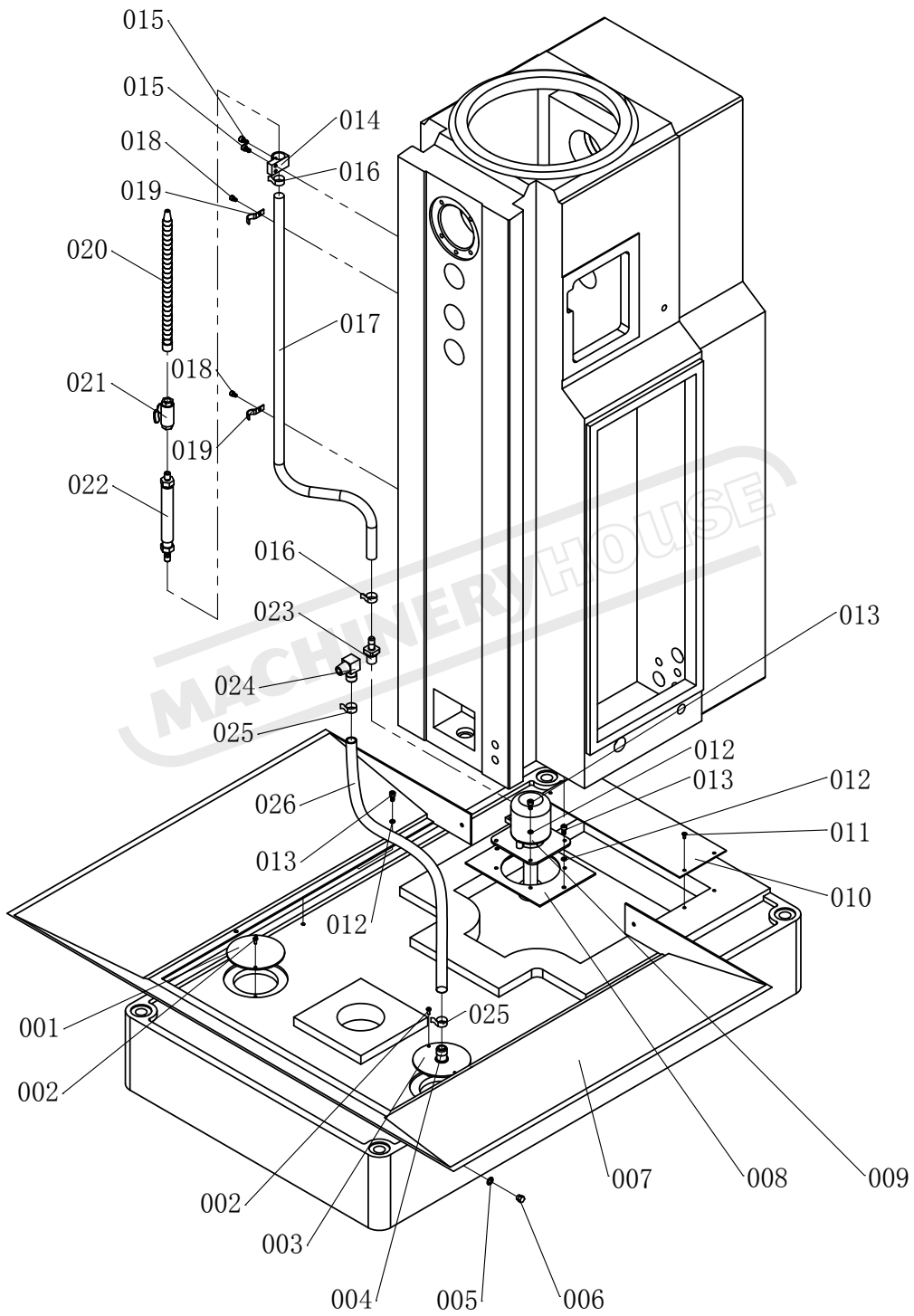
No.	Name of item	Qty
06175	4×52×42 Pressure spring	1
06176	Spline sleeve	1
06177	3 Spring washer	1
06178	M3×10 Hex.socket head bolt	1
06179	Key	1
06180	Clutch	1
06181	Gear	1
06182	Collar	1
06183	Collar	1
06184	M8×10 Setscrew with slotted flat end	1
06185	61805 Bearing	1
06186	Pin	1
06187	Spring	1
06188	30 Shaft retaining ring	3
06189	61906 Bearing	1
06190	Spring box	1
06191	M5×16 Hex.socket head bolt	4
06192	Bevel gear	1
06193	Worm gear case	1
06194	4×24 Taper pin	2
06195	Lever boss	1
06196	Lever	3
06197	Grip	3
06198	2×20×40 Pressure spring	1
06199	Cover	1
06200	Girder	1
06201	Lock bolt	1
06202	Handle	2
06203	Gear shaft	1

## 06 Headstock & gear-box part

No.	Name of item	Qty
06204	8×36 Flat key	1
06205	Gear	1
06206	M5×10 Cross-recessed countersunk head screw	4
06207	Spacer	1
06208	6202 Bearing	2
06209	Gear	1
06210	Cover	1
06211	5×14 Flat key	2
06212	Gear shaft	1
06213	Spacer	1
06214	Gear	1
06215	6×14 Flat key	1
06216	Gear	1
06217	Gear	1
06218	36 Shaft retaining ring	1
06219	51105 Bearing	1
06220	Collar	1
06221	A6×18 Screw cylindrical pin	2
06222	61905 Bearing	1
06223	Worm	1
06224	Lever	3
06225	Lever boss	3
06226	M8×10 Setscrew with slotted flat end	3
06227	Collar	1
06228	11.8×1.8 O-Ring	3
06229	A4×45 Taper pin	3
06230	Shaft	1
06231	A4×30 Taper pin	3
06232	Junction plate	3



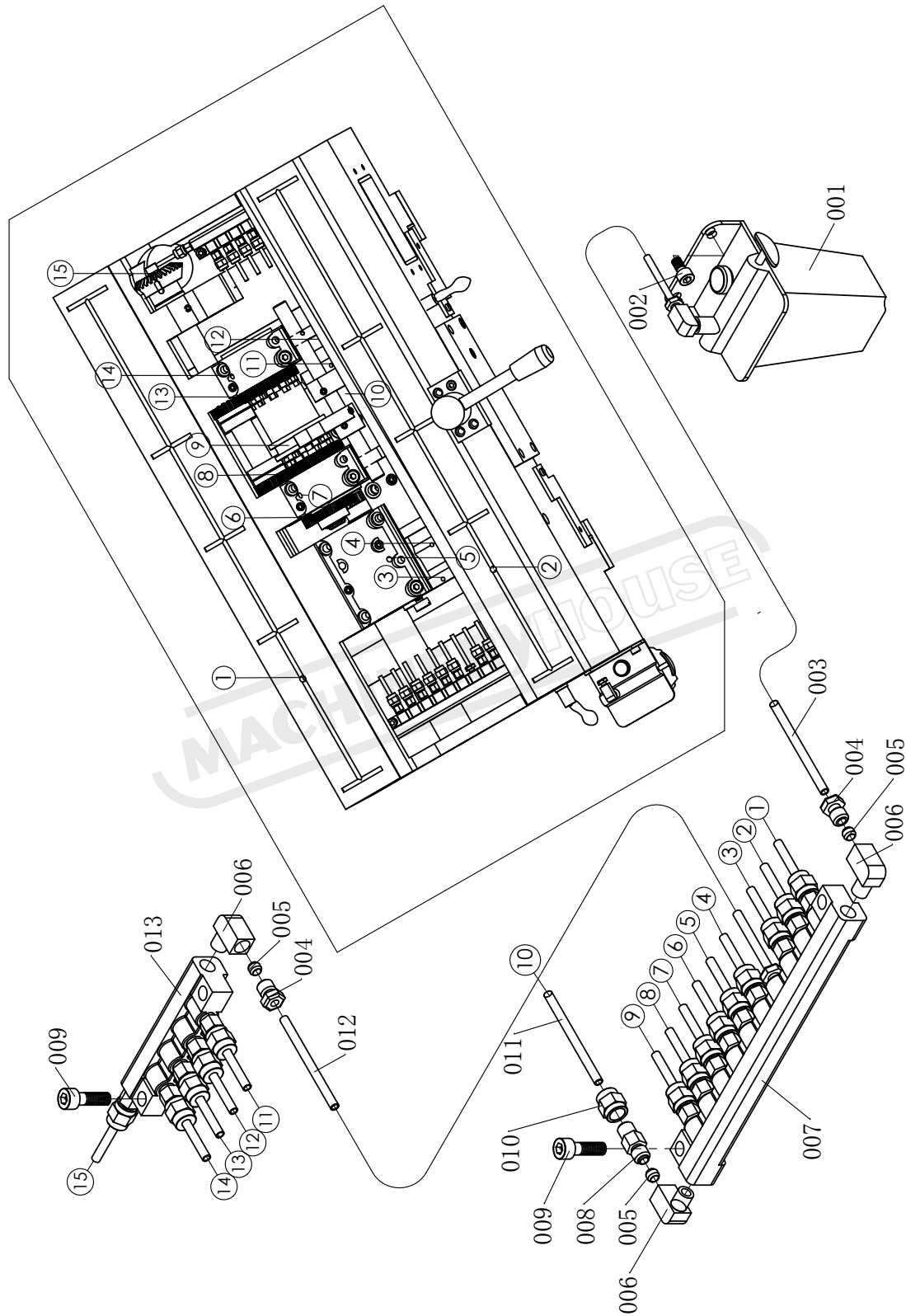
# 09 Cooling part



## 09 Cooling part

No.	Name of item	Qty
09001	Cover	1
09002	M4×10 Cross recessed pan head screw	4
09003	Cover	1
09004	Union joint	1
09005	Φ13×Φ10.2×1.5 Copper backing	1
09006	M10×1 Oil plug	1
09007	Container	1
09008	Cooling pump seat	1
09009	AB-25 90w Cooling pump	1
09010	Cover board	1
09011	M4×10 Cross recessed countersunk flat head screw	4
09012	6 Spring washer	12
09013	M6×12 Hexagon socket head cap screw	12
09014	Fixing base	1
09015	M6×16 Hexagon socket head cap screw	3
09016	Φ13~Φ19 Collar	2
09017	PVC Plastic tubing with steel wire φ3/8"×1500	1
09018	M5×8 Hexagon socket head cap screw	2
09019	Pipe clip	2
09020	Adjustable plastic cooling hose	1
09021	G1/2" Cone valve	1
09022	Union pipe	1
09023	Union joint	1
09024	Union joint	1
09025	Φ16~Φ25 Collar	2
09026	PVC Plastic tubing with steel wire Φ 3/4"×1550	1

# 10 Table lubrication part





# 10 Table lubrication part

No.	Name of item	Qty
10001	M8×1 Lubrication pump	1
10002	M6×25 Hexagon socket head cap screw	2
10003	Oil pipe with protecting sheath	1
10004	M8×1—Φ4.2 Fuel pipe union	4
10005	Φ6×Φ4.1 Dual taper cutting sleeve	19
10006	M8×1/M8×1 Angle coupling	3
10007	M8×1 Oil distributor	1
10008	Gage	15
10009	M6×25 Hexagon socket head cap screw	2
10010	M8×1-4.2 Collar nut	15
10011	Φ4×Φ3×300 Nylon tube	2
10012	Φ4×Φ3×6000 Copper pipe	1
10013	M8×1 Oil distributor	1

# F1 Accessories part

